

# KSTRONG EXTREME POLE HOIST DAVIT

AFT751080

The Extreme Pole Hoist System is suitable for Confined Space side entry applications or situations where there is an overhead structure with a rated Anchor point to "hang" the unit from.

## Features

- Ideally suited for vertical and horizontal confined Space entries with a suitable anchor point, either located above or with side entry gantry access points with limited overhead clearance.
- Swivel eye at the end of cantilever to be used to be attached to rated anchor point.
- Comes with mounting brackets which are compatible with KStrong winches or Type 3 retrieval Blocks.
- Cantilever arm is adjustable at 3 defined points -refer below.
- Allows the user to remain at a safe distance from any hazards.
- Designed for lifting, lowering and positioning of personnel.
- Fully adjustable feet to ensure the system is level.

## How To Use

Refer to User Instruction Manual



## Metal Components

Material	:	High Strength Aluminum Alloy
Finish	:	Powder Coated in dual Colour - Black & Grey.
Maximum Load Capacity	:	500 kgs

## Weight

12.99 kgs ± 0.10 kgs

## System Strength

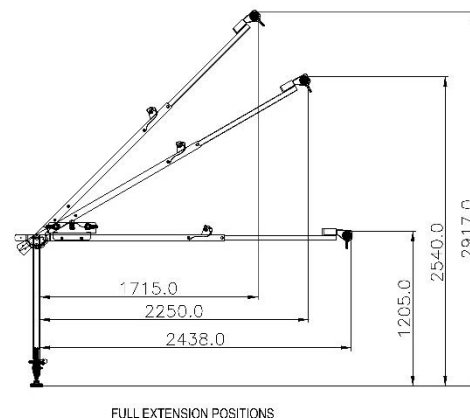
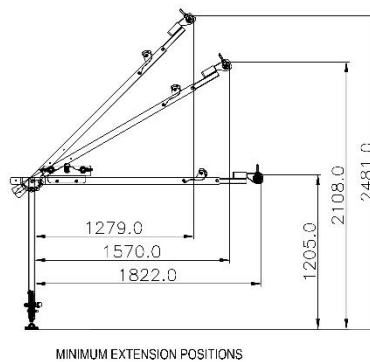
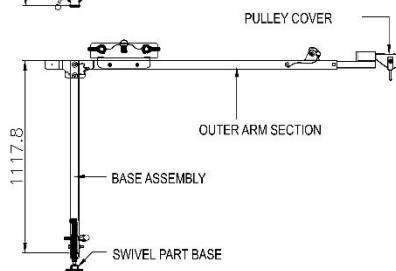
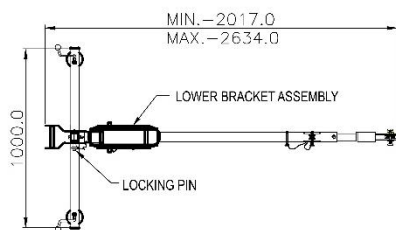
15kN MBS

## Relevant Standards

Certified to AS/NZS 5532:2013 & EN 795:2012 TYPE A



MINIMUM EXTENSION (2017mm)			FULL EXTENSION (2634mm)		
POSITION	HEIGHT	REACH	POSITION	HEIGHT	REACH
Lower	1205mm	1822mm	Lower	1205mm	2438mm
Middle	2108mm	1570mm	Middle	2540mm	2250mm
Upper	2481mm	1279mm	Upper	2917mm	1715mm



CE 0598