

EXTREME PERSONAL WINCH 20M

AFT730120


KStrong Extreme Winches have been designed for lifting and lowering, ideal for a range of applications including confined space work, rescue, positioning and personnel / material handling.

Features

- **Personal / Materials Winch recommended for rescue applications**
- Comes with an independent reel mode for quick and easy installation of the winch.
- Equipped with a secondary brake mechanism which reduces the dynamic load impact felt on the user in the event of a fall, to less than 6 kN.
- Comes with universal mounting bracket to attach the Extreme Davits and Tripods for quick and easy installation
- Handle rotating mechanism for lifting or lowering.
- Maximum Load Capacity:
 - Personal use: 140kg
 - Material use: 250kg



How To Use

Refer to User Instruction Manual 

Metal Components

| | | |
|---------------------|---|--|
| Body | : | Alloy Steel |
| Finish | : | ED Coated (Black) |
| Rated Load Capacity | : | As per EN 1496: 140 kgs |
| | | As per machine directive 2006/42/EC: 250 kgs |
| Wire Cable | : | 6 mm Galvanized Steel |
| Steel Snap Hook | : | 23kN MBS |

Weight

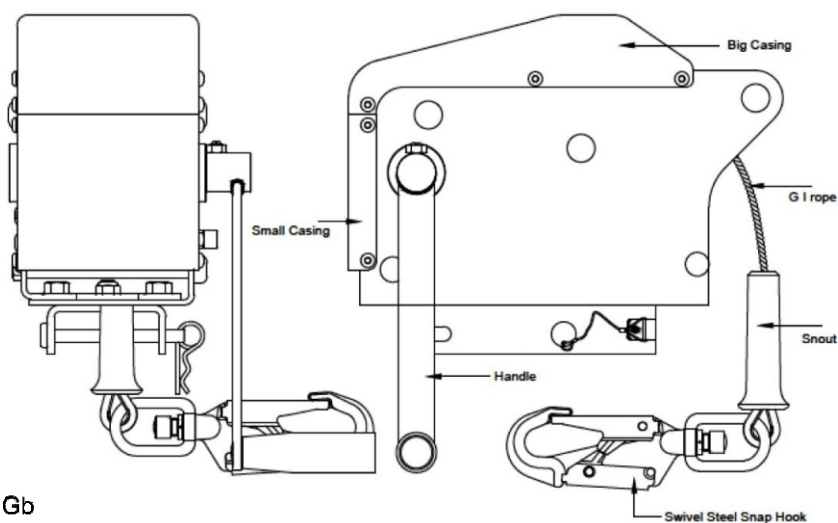
13.30kgs ± 0.10kgs

System Strength

15kN MBS

Relevant Standards

Tested as per EN 1496:2017 Class B & ANSI Z359.4-2013



II 2G
Ex h IIc T6 Gb
EN 80079-36:2016
EN 80079-37:2016