



USER INSTRUCTION MANUAL
MEGAPOD

THESE INSTRUCTIONS APPLY TO THE FOLLOWING MODEL:

AFT710007HD & AFT710010HD

CERTIFIED PRODUCT



AUSTRALIA & NZ STANDARDS

Certified to AS/NZS 5532:2013

Issued by BSI

Vide Lic. No.: BMP 760374

CE 0598

EN795:2012 Type B



II 2G
Ex h IIC T6 Gb

EN 80079-36:2016

EN 80079-37:2016

ANSI Z 359.18-2017 TYPE A

Please read and understand the manufacturer's instructions for each component or part of the complete system. Manufacturer's instructions must be followed for proper use, care, and maintenance of this product. These instructions must be retained and be kept available for the user's reference at all times. Alterations or misuse of this product, or failure to follow instructions, may result in serious injury or death.

Note: The user is advised to keep this user instructions document for the life of the product.

1. INTRODUCTION:

Megapod is classed as a Personal Protective Equipment (PPE) by the European PPE Regulation (EU) 2016/425 and has been shown to comply with this Regulation through the Harmonized European Standard EN 795:2012 Type B.

Megapod is designed to minimize the risk of/provide protection against the danger of falling from heights. However, always remember that no item of PPE can provide full protection and care must always be taken while carrying out the risk related activity.

The Megapod is also certified to AS/NZS 5532:2013.

2. PERFORMANCE AND LIMITATIONS OF USE:

Megapod has been tested in accordance with EN 795:2012 / AS/NZS 5532:2013 and has achieved the following performance levels :

EN 795: 2012 test	Result/Comment
General Requirements for Anchor devices (Clause 4.2) Static Strength (Clause 4.4.2.3) Dynamic Performance (Clause 4.4.2.2) Corrosion Resistance (Clause 4.2.1.1)	Securely connected eyebolts used for connection to PPE. Thus attachment points cannot become detached unintentionally. (PASS). All locking pins attached by cables, thus no unlocked components evident (PASS). No sharp edges (PASS). Sustained a force of 12kN for 3 minutes (PASS). When tested with rigid steel mass of 100 kg, the test mass held after test with the device remaining stable throughout. (PASS) No corrosion evident after 48 hours of salt spray testing. (PASS)

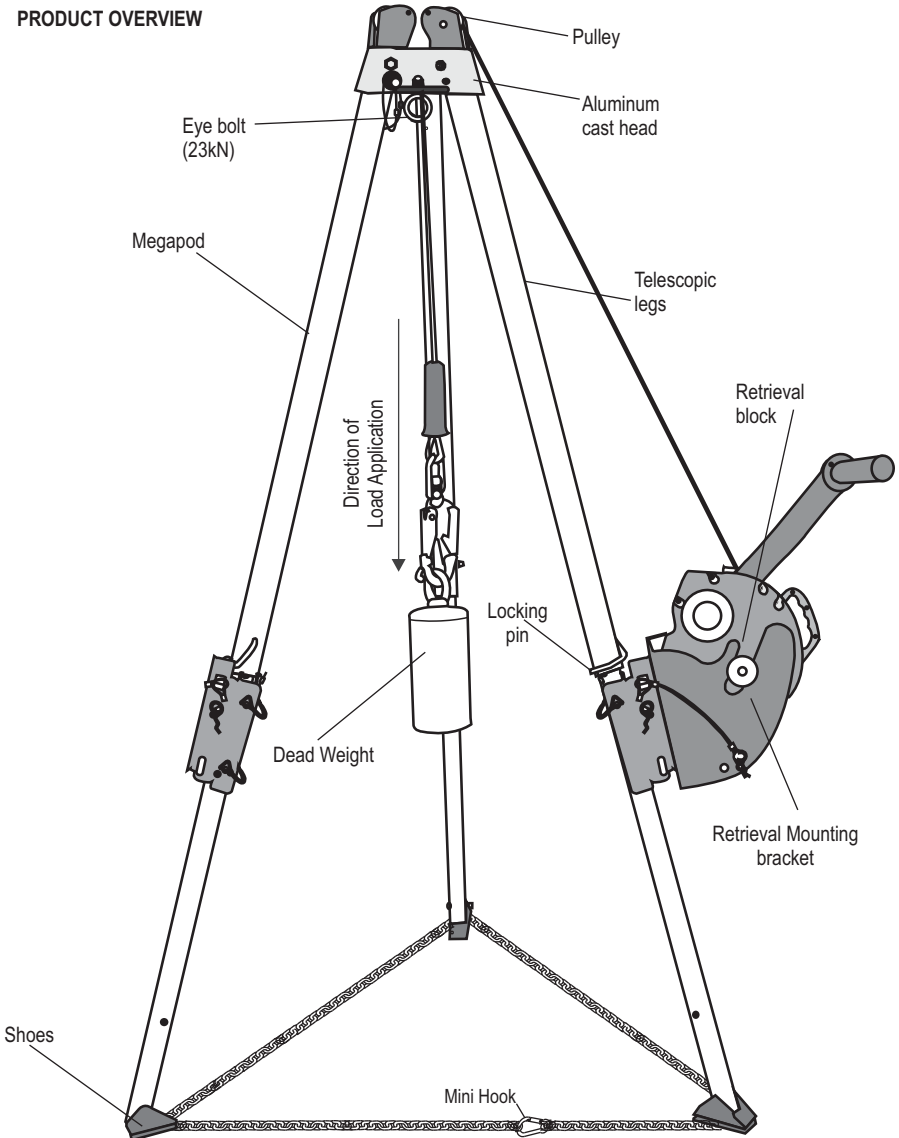
AS/NZS 5532:2013 test	Result/Comment
Static Strength (Clause 5.3) Dynamic Performance (Clause 5.3)	Sustained a force of 21kN for 3 minutes (PASS). When tested with rigid steel mass of 150 kg, the test mass held after test with the device remaining stable throughout. (PASS)

Also tested to ANSI Z 359.18-2017 TYPE A 23kn

Load Capacity:

- Personal Use: 200kg (rated for 2 users)
- Material Handling: 650kg

3. PRODUCT OVERVIEW



- 4. **APPLICATION:** Megapod is a convenient product that provides a stable overhead anchorage point. The Megapod comes with more wide and fully adjustable aluminium telescopic legs for use in particularly challenging area of work eg. manholes, tanks etc.
- 5. **INSPECTION** usually inspect the system before each use to ensure that it is in a serviceable condition and is operating correctly. If during inspection, doubts are raised about the safety of the system or a component, these should be replaced either by the manufacturer or a competent person.

Note : - It is recommended to mark the date of the next or last inspection.

6. PRECAUTIONS:

- Ensure the Medical condition of the user does not affect his safety in normal and emergency use.
- The equipment shall only be used by a person trained and competent in its safe use.
- A rescue plan shall be in place to deal with any emergencies that could arise during the work.

7. PRE- USE CHECK : Following points must be checked before use:-

- Locking pins are in its place and are properly working
- Ensure that the winch is properly casted
- Pulley wire must in good condition
- Detent pins are proper working
- Eye bolt must not have any cracks
- Telescopic legs are not damaged
- Mounting brackets are properly installed

8. FITTING & SIZING :

The height of the Megapod (7ft) is adjustable from 130 cms. to 210 cms. & for Megapod (10ft) from 222cms. to 314 cms. depending on the conditions of usage.

STEP 1: Place the Megapod on a flat surface with its rubberized feet well settled on the ground. Now remove the locking pins from the head and the legs.

Note: For stability of the Megapod it is mandatory to place it on a perfectly flat surface and the chain should pass through all three legs, in such position the load acts at the centre of the Megapod at it will remain stable.

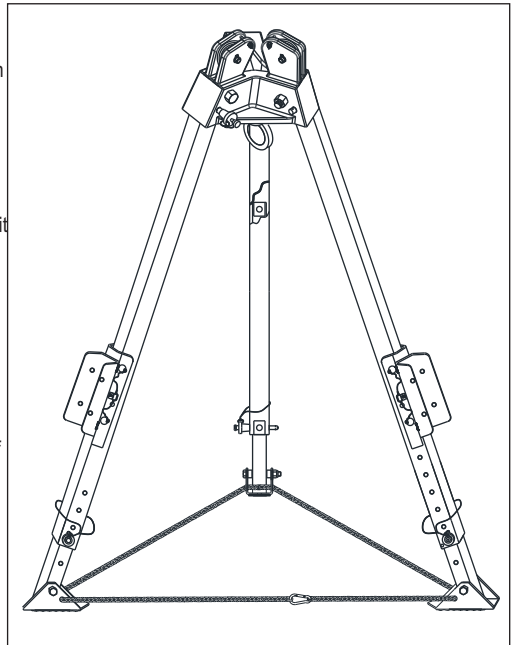
STEP 2: To secure the legs in the open positions, spread the legs to its maximum and then replace the locking pins on head.

STEP 3: After adjusting the legs to a required height or in a fully extended position, re-secure the locking pins into the legs.

STEP 4: Place the Megapod over the entry point of the confined space and adjust it as per requirement. Adjustment can be done by removing pins in one leg at a time.

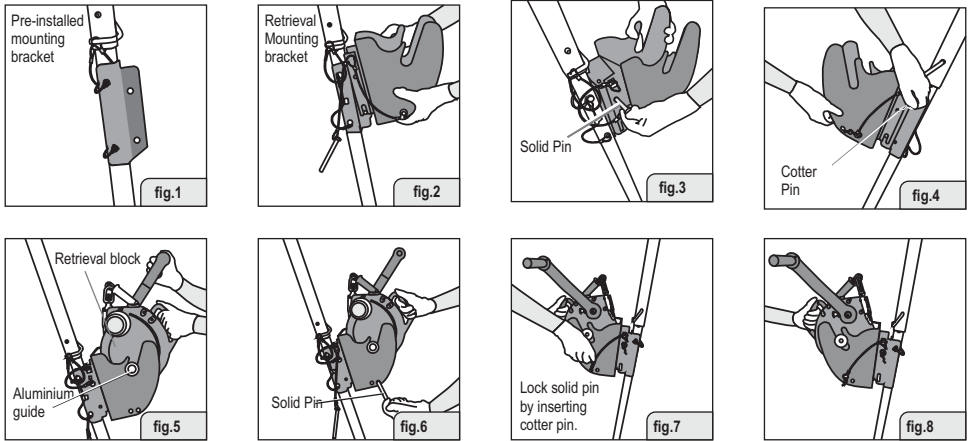
Note:

- It is advisable to adjust each leg so the Megapod sits level above user's entry point.
- Ensure that all pins are re installed. simultaneously on the legs of Megapod and the lifeline should be passed through pulley over megapod's head.



NOTE:- Retrieval Block and Winch should be mounted simultaneously on the legs of Megapod and the lifeline should be passed through pulley over megapod's head.

Installation of retrieval block on megapod:



- STEP 1** Locate the megapod leg that has pre-installed mounting bracket for installing the retrieval block.
- STEP 2** Place the retrieval mounting bracket on the lower mounting bracket pre-installed on the megapod leg and insert the guiding pin into the slot. (refer fig. 2 and 3)
- STEP 3** Use solid pin for locking the Retrieval Mounting bracket on pre-installed mounting bracket of megapod leg. (refer fig. 4)
- STEP 4** Lock the solid pin on mounting brackets using cotter pin. (refer Fig. 4)
- STEP 5** Insert retrieval block in bracket guided by aluminum guide provided on both side of retrieval. (refer Fig. 5)
- STEP 6** Lock the anchorage eye with bracket followed by solid pin and lock solid pin from other end by inserting cotter pin. (refer fig. 6&7). Now the retrieval block is ready to be used on megapod (refer fig. 8)

9. LIMITATIONS:

- Megapod should be the personal property of its user.
- It should not be used in highly acidic or basic environment.
- The anchor device is rated for two persons.
- When the anchor device is used as part of a fall arrest system, the user shall be equipped with a means of limiting the maximum dynamic forces exerted on the user during the arrest of a fall to a maximum of 6kN.
- The maximum load allowable for Personal use is 200kg & Material Handling is 650kg . The direction of loading will always be in vertical.
- The anchor device should only be used for personal fall protection equipment and not for lifting equipment.
- Standard packaging supplied from manufacturer should be used during transportation to protect the equipment against damage.
- It is essential for the safety of the user that if the product is resold outside the original country of destination, the reseller must provide instructions for use, maintenance, periodic examination and repair in the language of the country in which the product is to be use.
- There is no deflection on Anchor device or Anchor point.

- 10. COMPATIBILITY :** To optimize protection, in some instances it may be necessary to use the product with suitable PPE such as: boots/ gloves/ helmet and ear protection. In this case, before carrying out the risk-related activity, consult your supplier to ensure that all your protective products are compatible and suitable for your application.

11. **REPAIR:** If the product becomes damaged, it will NOT provide the optimum level of protection, and therefore should be immediately removed from service. It needs to be inspected to see if it is replaced or repaired. Never use the damaged product. Repair is only permitted by the manufacturer or a nominated repair centre or individual approved by the manufacturer.
12. **CLEANING & MAINTENANCE:** In case of minor soiling, wipe the product with cotton cloth or a soft brush. Do not use any abrasive material. For intensive cleaning wash the product in water at a temperature between 30 °C to 60 °C by using a neutral detergent (pH 7). The washing temperature should not exceed 60°C. Do not use acidic or basic detergents.
13. **STORAGE AND TRANSPORT:** When not in use, store the product in a well-ventilated area away from heavily acidic or basic environment. Never place heavy items on top of it. Also ensure that the tripod is stored away from chemically hazardous environment. Preferably storage should be in a dry environment. Always use manufacturer's standard packaging during transportation to protect it from damage or moisture.
14. **WITHDRAWAL FROM USE:** If the system has been used to arrest a fall, it should be removed from service and returned to the manufacturer or a competent repair centre for servicing and re testing.
15. **WARNING:**
 - Ensure that the medical condition of the user does not affect his safety in normal and in emergency cases.
 - The equipment shall only be used by a person trained and competent in its safe use.
 - A rescue plan shall be in place to deal with any emergencies that could arise during work.
 - Do not make any alterations or additions to the equipment without the manufacturer's prior written consent, and that any repair shall only be carried out in accordance with manufacturers procedures.
 - The equipment shall not be used outside its limitation, or for any purpose other than that for which it is intended.
 - Any dangers that may arise by the use of combinations of items of equipment in which the safe function of any one item is affected by or interferes with the safe function of another.
 - Ensure that the harness used confirms to EN 361 and the karabiner is connected to attachment elements of the harness; also ensure that harness has an attachment located appropriately to the fall arrester.
 - For equipment intended for use in fall arrest systems, we emphasise that it is essential for safety that the anchor device or anchor point should always be positioned and the work carried out in such a way as to minimise both the potential for falls and potential fall distance. Where it is essential that the anchor device/point is placed above the position of the user, the manufacturer shall make a statement to that effect.
 - A full body harness is the only acceptable body holding device that can be used in a fall arrest system.
 - For equipment intended to be use in fall arrest systems, we emphasise that it is essential for safety to verify the required free space beneath the user at the workplace before each occasion of use, so that in case of a fall there will be no collision with the ground or other obstacle in the fall path.
 - Remove all slack from the adjustment chain by loosening the quick connect at the feet of Megapod legs. Do not use the Megapod if chain is not present. Doing so may result in serious injury or even death.
16. **PERIODIC EXAMINATION**
 - It is important to conduct regular periodic examination of the product because the safety of the user depends upon the continued efficiency and durability of the product.
 - The frequency of examination should be at least once in a year however it can be more than once if legislation requires, or frequency of use is high or environmental conditions have an adverse effect on it eg excessive rain, sea side environment, excessive heat etc.
 - It is emphasized that the examination be conducted only by a competent person and strictly in accordance with the manufacturer's periodic examination procedures.
 - It is also advised the competent person be duly trained and authorized by the manufacturer.
 - Ensure that all markings on the product are legible and readable.
 - It is the responsibility of the user to keep the below record card update by entering the details mentioned in it. detergent (pH7). The washing temperature should not exceed 60°C. Do not use acid or basic detergents.

Marking



The Megapod is marked with :

- (i) Identification of the manufacturer
- (ii) Type or product code
- (iii) UID For Traceability
- (iv) Year of Manufacture
- (v) Adjustable height
- (vi) Strength
- (vii) The CE mark showing that the product meets the requirements of the PPE Regulation (EU) 2016/425
- (viii) Atex Marking

LIFESPAN: The estimated product Lifespan is 10 years from the date of manufacture. The following factors can reduce the Lifespan of the product: intense use, contact with chemical substances, specially aggressive environments, extreme temperature exposure, UV exposure, abrasions, cuts, violent impacts, bad use or maintenance.

DISCLAIMER: Prior to use, the end user must read and understand the manufacturer's instructions supplied with this product at the time of shipment and seek training from their employer's trained personnel on the proper usage of the product. Manufacturer is not liable or responsible for any loss, damage or injury caused or incurred by any person on grounds of improper usage or installation of this product.

EQUIPMENT RECORD				
Product				
Model & type/Identification		Trade Name		Identification number
Manufacturer		Address		Tel, email into use
Year of manufacture		Purchase Date		Date first put into use
Other relevant information (eg. document number)				
PERIODIC EXAMINATION AND REPAIR HISTORY				
Date	Reason for entry (periodic examination or repair)	Defects noted, repairs carried out and other relevant information	Name and signature of competent person	Periodic examination next due date

Certification Body :

SATRA Technology Europe Ltd, Bracetown Business Park, Clonee, Dublin D15 YN2P Ireland (Notified Body 2777)

Ongoing Assessment Body:

SGS Fimko Oy, Takomotie 8, FI-00380 Helsinki, Finland (Notified Body 0598)

For EU Declaration, please visit <https://kstrong.com/asia/eu-declaration-form/>



KStrong Asia Pte Ltd

33A Chander Road, Singapore 219539
Contact Email: customercare@kstrong.com

www.kstrong.com

USA	South America	ASIA
-----	---------------	------

AKS/AFT/10007HD/130123/V1