

STAINLESS STEEL ROPE GRAB WITH KARABINER AND WIRE SLING AFF6000

AFG805101

Features

- Stainless Steel Rope Grab AFG801002 permanently linked with a steel Karabiner AFC601100 via a PVC coated SS wire.
- Allows the user to climbing up or down and locks when a fall occurs on the wire anchorage line.
- Automatic locking system.
- Suitable to be used on 8mm 7x19 Stainless Steel Wire Rope.

How To Use

Refer to User Instruction Manual



Metal Components

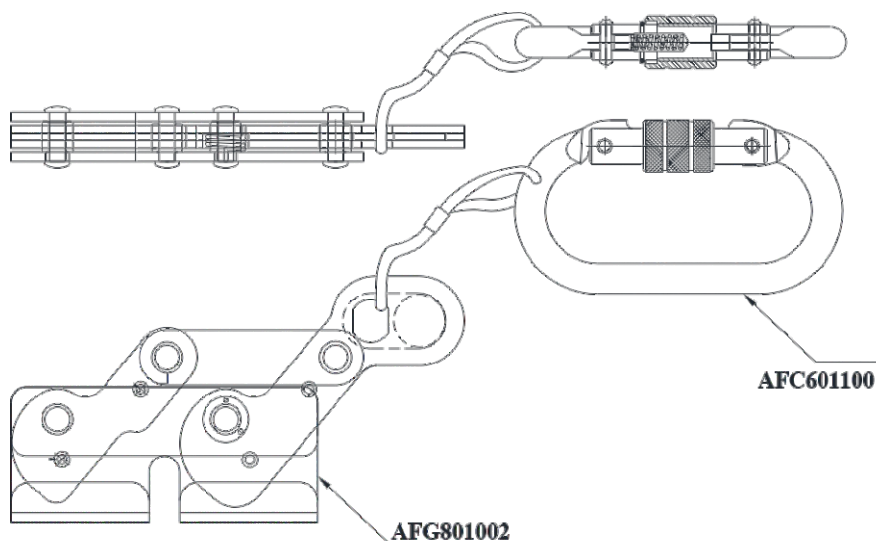
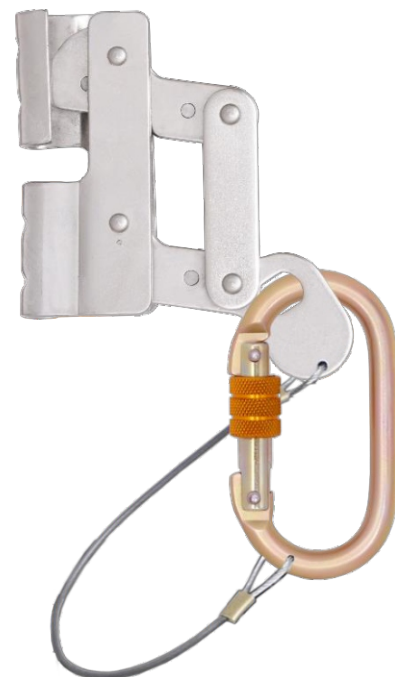
Rope Grab	:	316 Stainless Steel: Polished
Minimum Breaking Strength	:	15 kN
Karabiner	:	Alloy Steel: Galvanized with Golden Yellow/Silver Passivation
Minimum Breaking Strength	:	25 kN

Weight

0.64 kgs ± 0.010 kgs

Relevant Standards

AFF6000 System Specifications - Conforms to EN353-1:2014 + A1:2017



CE 0598