

OPENABLE 50MM ANTI PANIC STEEL ROPE GRAB C/W ROLLER GUIDE SUITS 14MM & 16MM TWISTED ROPE

Features

- Moving Rope Grab on flexible anchorage line
- Moves along with the user climbing up or down and locks him in the case of a fall.
- Suitable for 14mm & 16mm Twisted rope..
- Stainless steel openable Rope Grab with a unique Anti Panic feature and a connecting eye of diameter 50mm.

How To Use

Refer to User Instruction Manual



Metal Components

Material : 316 Stainless Steel
Finish : Polished

Weight

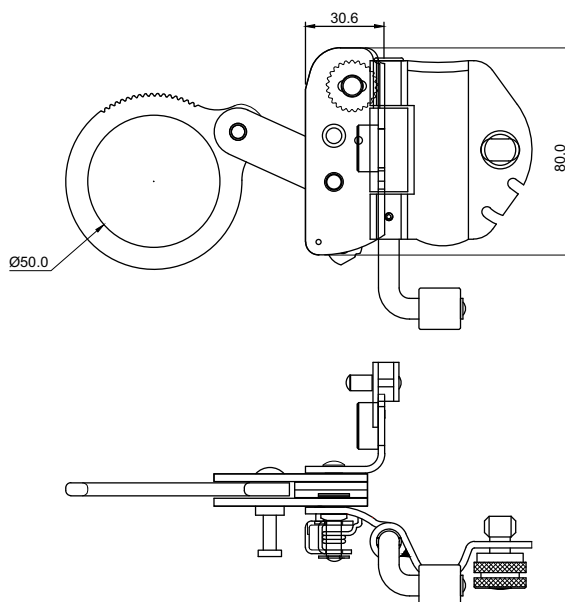
586.0 gm ± 10 gm.

System Strength

MBS 15 kN

Relevant Standards

Tested as per EN 353-2:2002, ANSI Z 359.1-2007



CE 0598