

REMOVABLE STAINLESS STEEL ROPE GRAB FOR 8MM STEEL WIRE ROPE

AFG801002

Features

- Moving Rope Grab (AFG801002) on flexible anchorage line.
- Moves along with the user climbing up or down and locks him in the case of a fall.
- Automatic locking system.
- Suitable for 8 mm Steel Wire Rope Line.

How To Use

Refer to User Instruction Manual



Metal Components

Material : 316 Stainless Steel
Finish : Polished

Weight

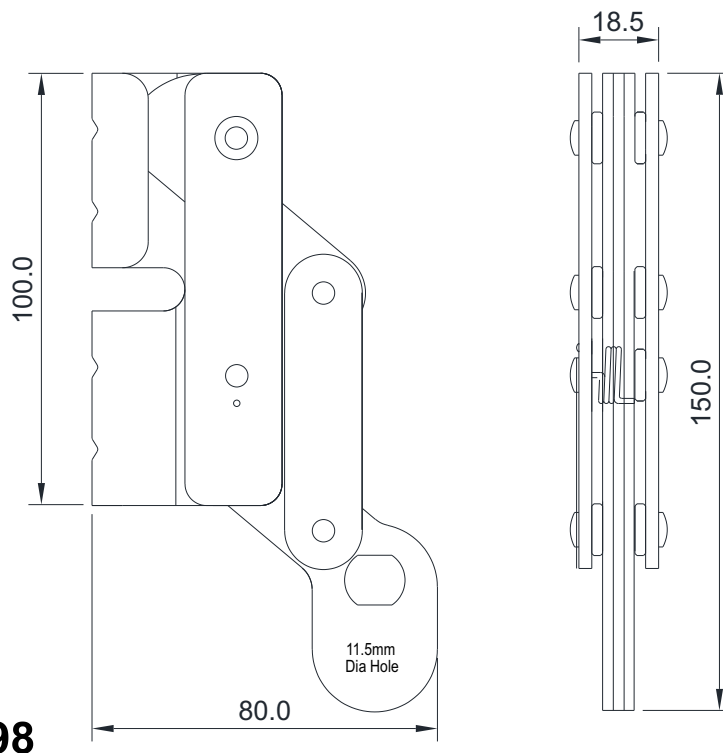
473 gm ± 15 gm

System Strength

MBS 15 kN

Relevant Standards

Tested as per EN 353-2:2002 / EN 353-1-2014 + A1:2017 & ANSI Z 359.1-2007



CE 0598