

EXTENDABLE MOUNTING BRACKET FOR AFF9000 SYSTEM

AFF533800

Features

- Extendable Bracket for AFF9000 Vertical Aluminum Rail Systems allowing to be attached on various structures.
- Telescopic adjustment to provide adequate clearance for the Rail from the structure/wall.
- The bracket can be adjusted between 260mm - 350mm

How to Use

Refer to User Instruction Manual



Metal Components

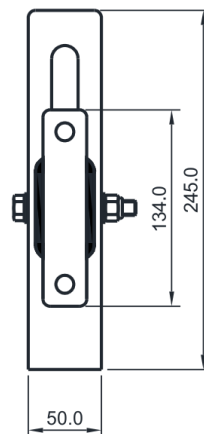
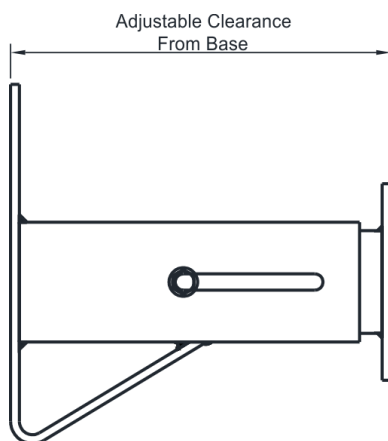
Bracket	:	316 Stainless Steel: Polished
MBS	:	23kN

Weight

5.366 kg

Relevant Standards

Part of AFF8000 System which Conforms to EN353-1:2014 + A1:2017
ATEX directive 2014/34/UE



CE 0598