


MOUNTING BRACKET FOR TWO LADDER RUNGS AFF6000 & AFF7000

AFF513700

Features

- Stainless Steel extremity mounting brackets used to install a vertical anchor line by attaching the wire rope installed on a ladder.
- The unique design of the brackets can easily be attached to rungs of the ladder.
- Simple attach to the ladder using U Bolts connecting directly to the ladder Rungs (U Bolts & Nuts supplied)
- Suit ladder rung Diameter: Ø18.0mm to Ø36.0mm.

How To Use

Refer to User Instruction Manual 

Metal Components

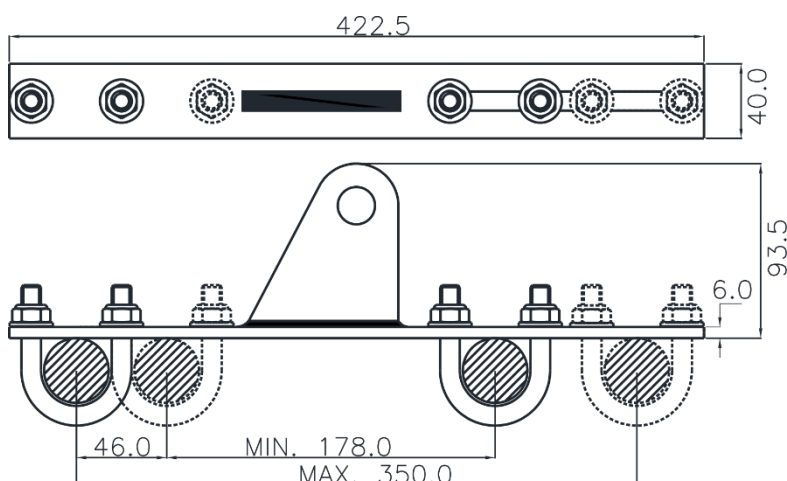
| | | |
|---------------------------|---|-------------------------------|
| U Bolt, Washers & Nut | : | 316 Stainless Steel: Polished |
| Extremity Plate | : | ED Coated Grey |
| Minimum Breaking Strength | : | 23kN |

Weight

1.650 Kgs. ± 0.05 kgs.

Relevant Standards

Conforms to EN 795:2012 Type A



CE 0598