

# PIPE MOUNTING BRACKET SUIT 150MM - 165MM DIA

AFF113735(165)

## Features

- Pipe Mounting Brackets are provided to install the anchorage line on larger Diameter Pipe/Poles both vertically & horizontally.
- Suitable to attach the AFF113710 Extremity Anchor and Intermediate Bracket.
- Simple bolt to the pipe by using two bolts connecting the two Plates Compatible Rung Diameter: Ø150.0mm to Ø165.0mm.
- Not to be used as a single end anchorage for wire cable systems.

## How To Use

Refer to User Instruction Manual



SCAN TO DOWNLOAD

## Metal Components

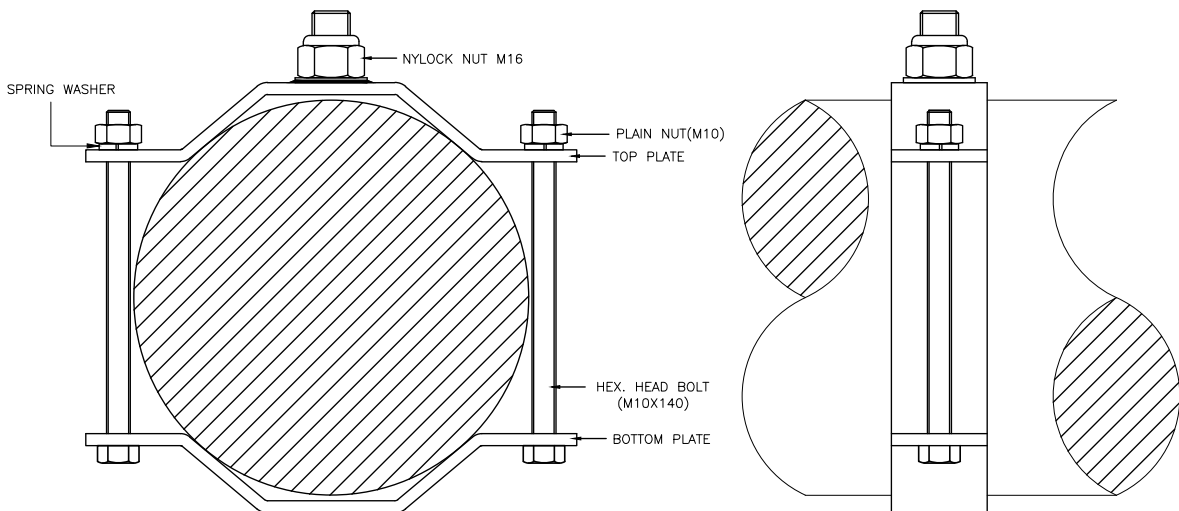
Brackets	316 Stainless Steel: Electropolished
Bolts	Stainless Steel A4/70
Washers & Nut	Stainless Steel A4
Minimum Breaking Strength: Z Axis	15 kN

## Weight

928.0 gms ± 10.0 gms

## Relevant Standards

AFF4000 System Specifications - Conforms to EN795:2002 Type C & TS16415:2013



CE 0598

