

USER INSTRUCTION MANUAL
ANCHOR POST

THESE INSTRUCTIONS APPLY TO THE FOLLOWING MODELS:
AFA935871

CERTIFIED PRODUCT



AUSTRALIA & NZ STANDARDS
Certified to AS/NZS 5532:2013
Issued by BSI
Vide Lic. No.: BMP 760374

Please read and understand the manufacturer's instructions for each component or part of the complete system. Manufacturer's instructions must be followed for proper use, care, and maintenance of this product. These instructions must be retained and be kept available for the user's reference at all times. Alterations or misuse of this product, or failure to follow instructions, may result in serious injury or death.

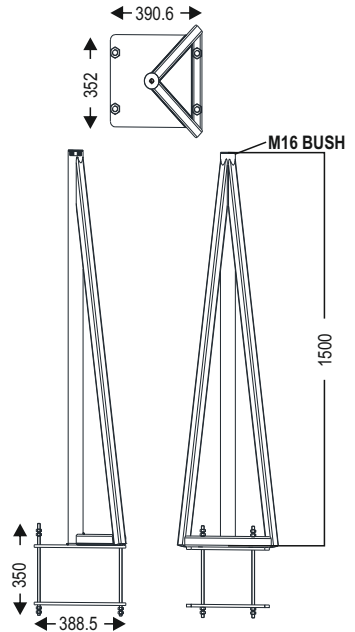
Note: The user is advised to keep this user instructions document for the life of the product.

"To be used in accordance with manufacturer's instructions"

- 1. INTRODUCTION:** These Anchors are in compliance with Australia & NZ Standards AS/NZS 5532:2013.
NOTE** Due to the weight of the anchor, it is not classed under the PPE regulations, however its been tested to EN795 Type A, TS16415:2013.
- 2. PERFORMANCE AND LIMITATIONS OF USE:** These Anchor has been tested in accordance with AS/NZS 5532:2013 have achieved the following performance levels:

AS/NZS 5532:2013 test	Result/Comment
Static Strength(Clause 5.3)	Sustained a force of 15 kN for 3 minutes (PASS).
Dynamic Performance (Clause 5.3)	When tested with rigid steel mass of 100 kg, the test mass held after test with the device remaining stable throughout. (PASS)

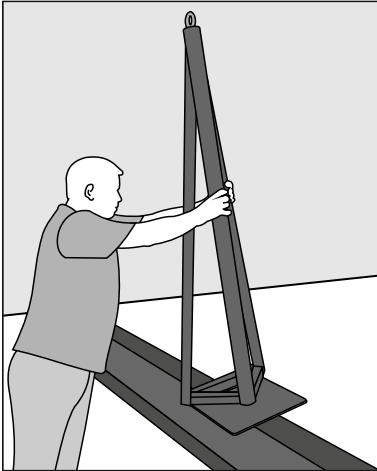
- 3. APPLICATION:**
 - Anchor has been designed to be fixed on metal I-BEAM to install horizontal lifeline.
 - Easily installed on the Beam with the help of fisher plate & 4 Nos. M12 stud & nut.
 - Post comes with M16 tapped bush to fix connectors such as Eye bolt etc to be used as anchorage point.
- 4. INSPECTION :** Visually inspect the system before each use to ensure that it is in a serviceable condition and is operating correctly. If during inspection, doubts are raised about the safety of the system or a component, these should be replaced either by the manufacturer or a competent person.
- 5. PRECAUTIONS:**
 - Ensure the Medical condition of the user does not affect his safety in normal and emergency use.
 - The equipment shall only be used by a person trained and competent in its safe use.
 - A rescue plan shall be in place to deal with any emergencies that could arise during the work.
 - Ensure that the anchor is installed directly above the user's head.
 - It is essential to verify free space required beneath the user at work place before each occasion of use so that in case of a fall there will be no collision with ground or other obstacle in the fall path.



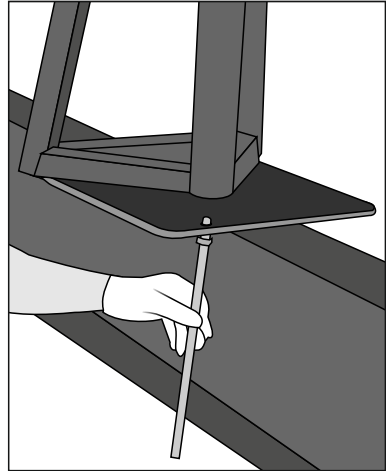
SA 111(1500)

6. PRE-USE CHECK:

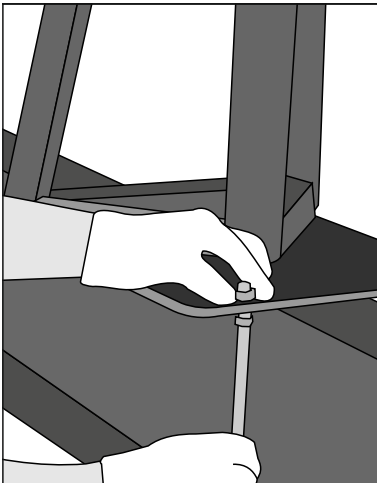
- It is important to check before use, any dangers that may arise by the use of combinations of items of the equipment in which the safe function of any one item is affected by or interferes with the safe function of another.
- Carry out a pre-use check of the system, to ensure that it is in a serviceable condition and operates correctly before it is used.
- Ensure the compatibility of items of equipment when assembled into a system.

7. INSTRUCTION FOR USAGE:

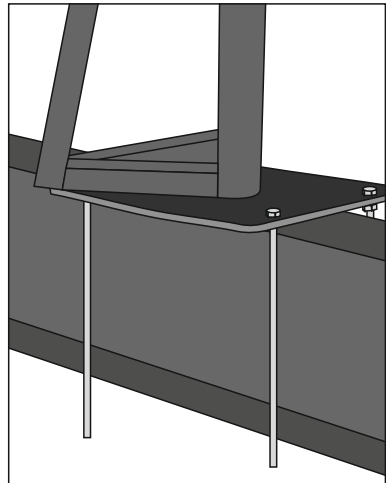
Pick up any one of the required connectors and screw it in the threaded bush provided on the anchor post top using an M16 fastener. Place the anchor post on the beam in a way that the base plate is symmetrically in aligned with it.



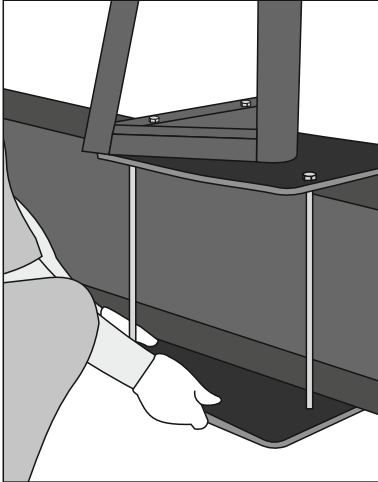
Insert a stud with a single nut from the lower side of the hole provided on the post plate.



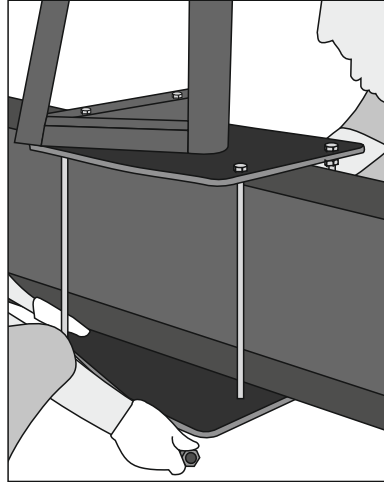
Now, insert another nut from the top part of the same stud that is protruding from the plate and tighten it.



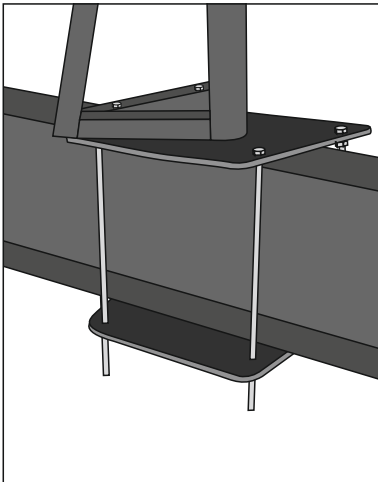
Repeat the same process for the rest three holes.



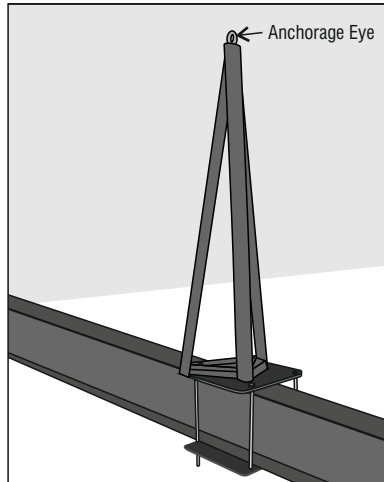
Now, place the lower base plate in alignment with the anchor base plate and in a way that all the four suspended studs get inserted in the lower base plate holes.



Insert other provided nuts from the lower end of the studs that are protruding outwards from the lower sides of the lower base plate and tighten them.



Check for both the post and base plate to be firmly gripping the beam as indicated in the figure.



The anchor post is ready to use.

8. **ANCHORAGE STRENGTH:** Ensure that the structure on to which the anchor is fitted is strong enough to with stand a load of 15 kN.
9. **COMPATIBILITY :** To optimise protection, in some instance it may be necessary to use the anchor with suitable boots/ gloves/ helmet/ ear defenders. In this case, before carrying out the risk-related activity, consult your supplier to ensure that all your protective products are compatible and suitable for your application.
10. **LIMITATIONS:**
- It should be the personal property of it's user.
 - It should not be used in highly acid or basic environment.
 - The anchor has been tested to AS/NZS 5532:2013.
 - Ensure that the anchor is installed directly above the user's head.
 - Ensure that the equipment is compatible with other items when assembled into a system.
 - It is essential to verify the free space required beneath the user at work place before each occasion of use so that in case of a fall there will be no collision with ground or other obstacle in the fall path.
 - It is essential for the safety of user that if the product is resold outside the original country of destination, the reseller shall provide instruction for use, maintenance, for periodic examination and for repair in the language of the country in which product in to be used.
 - Allow the equipment to dry naturally after cleaning, avoid direct heating.
 - Do not make lubrication.
 - Please check the legibility of label/markings before each use.
 - Following conditions may be hazardous & may affect the performance of Anchor:-
 - Extreme temperature.
 - Trailing or looping of Lanyards over sharp edges.
 - Extreme acidic or basic environments.
 - Abrasive or sharp edge structures which can damage the equipment.
 - Chemical Reagents.
 - Climatic exposure.
 - Standard packaging supplied from manufacturer should be used during transportation to protect the equipment against damage.
 - It is recommended that Anchor device should be marked with the date of the next or last inspection. Documentation should also be done after installation and periodic examination.
 - It is necessary for the user to carry out a pre-use check of equipment , to ensure that it is in a serviceable condition and operates correctly before it is used.
 - Please check for the movement of studs, it should be free for movement. If not Working properly it should be removed from service immediately. Also if any cracks or permanent deformations are found it is not recommend to use.
 - It is essential for the safety that the anchor device or anchor point should always be positioned, and the work carried out in such a way, as to minimize both the potential for falls & potential fall distance.
 - Use standard packing supplied from manufacturer to protect the equipment against damage during transportation.
 - It is important to conduct regular periodic examination of the product because the safety of the user depends upon the continued efficiency and durability of the product.
 - Periodic examination should be done on a regular basis at least once in twelve months.
 - The periodic examination must be conducted by a competent person and strictly in accordance with the manufacturers periodic examinations procedures.
11. **REPAIR :** If the product becomes damaged, it will NOT provide the optimum level of protection, and therefore should be immediately either replaced or repaired. Never use the damaged product. Repair is permitted, provided that it is either done by the manufacturer or a competent repair centre or individual approved by the manufacturer.
12. **WITHDRAWAL FROM USE :** If the system has been used to arrest a fall, it should be removed from service and returned to the manufacturer or a competent repair centre for servicing and re test.
13. **CLEANING & MAINTENANCE:** In case of minor soiling, wipe the anchor with cotton cloth or a soft brush. Do not use any abrasive material. For intensive cleaning wash the anchor in water at a temperature between 30°C to 60°C by using a neutral detergent (pH 7). The washing temperature should not exceed 60°C. Do not use acid or basic detergents.
14. **STORAGE AND TRANSPORT :** When not in use, store the anchor in a well-ventilated area away from heavily acidic or basic environment. Never place heavy items on top of it. Also ensure that it is stored away from chemically hazardous environment. Preferably storage should be in dry environment.

15. WARNING:

- Do not make any alteration or additions to the equipment without the manufacturer’s prior written consent and repair shall only be carried out by personnel trained by the manufacture & duly authorized by him.
- The equipment shall not be used outside its limitation, or for any purpose other than that for which it is intended.

MARKING

KSTRONG®
UNRIVALED SAFETY.

ANCHOR POST

AFA935871


UID : XXXXXXXXXXXX

Date of Mfg : XXXX

Load Rating : 15 kN

KStrong Asia Pte Ltd
33A Chander Road,
Singapore 219539

CERTIFIED PRODUCT



AUSTRALIA & NZ STANDARDS
Certified to AS/NZS 5532:2013
Issued by BSI
Vide Lic. No.: BMP 760374

If equipment fails inspection,
IMMEDIATELY REMOVE FROM SERVICE.

Made In India

Y	R	M	J	F	M	A	M	J	J	A	S	O	N	D
20														
20														
20														
20														
20														
20														
20														
20														
20														
20														

The Anchor is marked with

- i) Type or product code
- ii) Identification of the manufacturer
- iii) Ref. No.
- iv) Batch No. for traceability
- v) manufacturing date
- vi) Load Rating
- vii) For single user only
- viii) Read The Instruction Before Use.
- ix) Norm Reference.

LIFESPAN: The estimated product Lifespan is 10 years from the date of manufacture. The following factors can reduce the Lifespan of the product: intense use, contact with chemical substances, specially aggressive environments, extreme temperature exposure, UV exposure, abrasions, cuts, violent impacts, bad use or maintenance.

DISCLAIMER: Prior to use, the end user must read and understand the manufacturer's instructions supplied with this product at the time of shipment and seek training from their employer's trained personnel on the proper usage of the product. Manufacturer is not liable or responsible for any loss, damage or injury caused or incurred by any person on grounds of improper usage or installation of this product.

EQUIPMENT RECORD				
Product				
Model & type/Identification		Trade Name		Identification number
Manufacturer		Address		Tel, email into use
Year of manufacture		Purchase Date		Date first put into use
Other relevant information (eg. document number)				
PERIODIC EXAMINATION AND REPAIR HISTORY				
Date	Reason for entry (periodic examination or repair)	Defects noted, repairs carried out and other relevant information	Name and signature of competent person	Periodic examination next due date

Certification Body & Ongoing Assessment Body (AUSTRALIA & NZ STANDARDS)

BSI Group ANZ Pty Ltd, Suite 1, Level 1, 54 Waterloo Road,
Macquarie Park, NSW 2113, Australia.



KStrong Inc.
150 N. Radnor Chester Road Suite F200
Radnor, Pennsylvania 19087 United States
Phone/Fax: 1-833-KSTRONG

www.kstrong.com

USA

South America

ASIA

AKS/AF93587/1/201223/V1