

UNIVERSAL EXTREMITY STAINLESS STEEL POST FOR BEAM FLANGE

AFA935821(SS)

Features

- Extremity Post designed to be fixed on metal I BEAM at the end of a horizontal lifeline.
- The base have an adjustable opening to adopt to the type of Beam section.
- Compatible with Universal Extremity Plate AFF113710
- Available lengths (L):
 - 300 mm AFF935821(SS)(300)
 - 500 mm AFF935821(SS)(500)
 - 750 mm AFF935821(SS)(750)

How To Use

Refer to User Instruction Manual



Metal Components

Material	:	316 Stainless Steel: ED Coated Grey
Finish	:	M12 A40/70 316 Stainless Steel
System Strength	:	15 kN

Flange Width

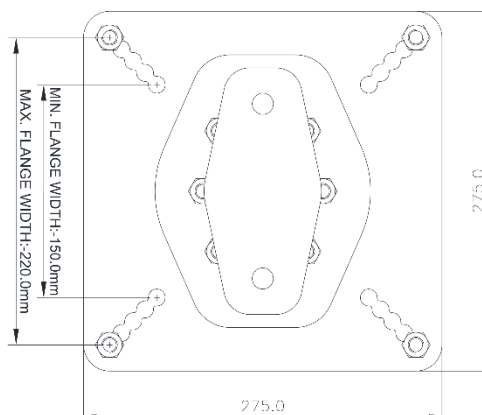
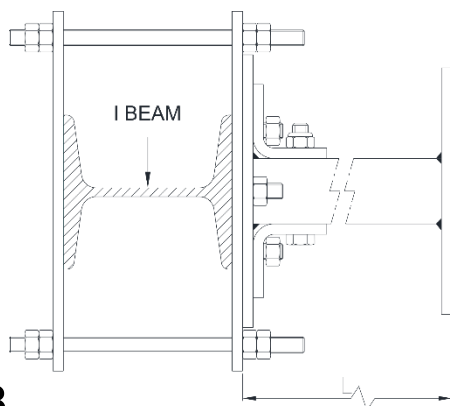
Minimum Flange Width Compatibility	:	150.0 mm
Maximum Flange Width Compatibility	:	220.0 mm

Weight

300 mm	:	8.64 kg ± 0.10 kg
500 mm	:	9.46 kg ± 0.10 kg
750 mm	:	10.64 kg ± 0.10 kg

Relevant Standards

Conforms to EN 795:2012 Type A



CE 0598