

# UNIVERSAL EXTREMITY STAINLESS STEEL CLAMPING PLATES SINGLE BEAM

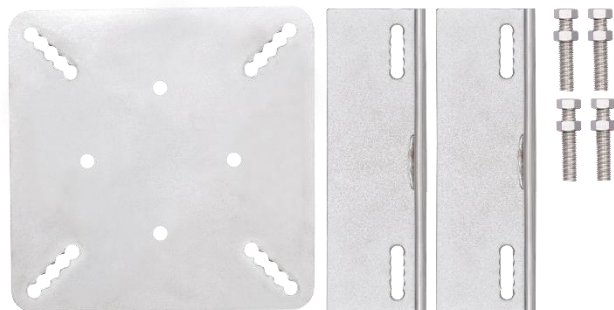
AFA935811(SS)

## Features

- Designed to be used on I BEAM to install the horizontal lifeline.
- Compatible with Universal Extremity Plate AFF113710

## How To Use

Refer to User Instruction Manual



## Metal Components

Clamping Plates	:	316 Stainless Steel: ED Coated Grey
Bolts	:	M12 A4/70 316 Stainless Steel
System Strength	:	15 kN

## Flange Width

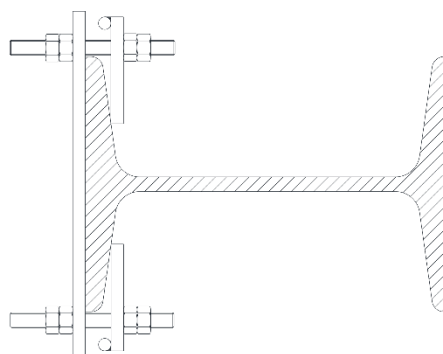
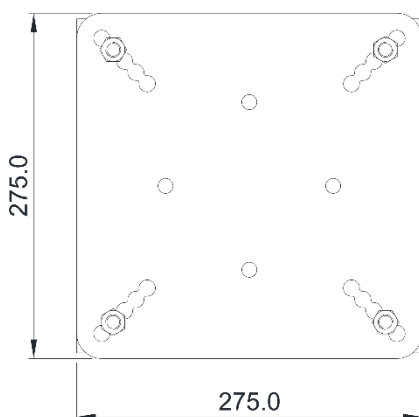
Minimum Flange Width Compatibility	:	150.0 mm
Maximum Flange Width Compatibility	:	220.0 mm

## Weight

8.60 kg  $\pm$  0.10 kg

## Relevant Standards

Conforms to EN 795:2012 Type A



CE 0598