


UNIVERSAL EXTREMITY CLAMPING PLATES FOR SINGLE BEAM

AFA935811

Features

- Designed to be used on I BEAM to install the horizontal lifeline.
- Compatible with Universal Extremity Plate AFF113710

How To Use

Refer to User Instruction Manual 

Metal Components

Clamping Plates : High Tensile Steel: ED Coated Black
Bolts : M10 A40/70 316 Stainless Steel
System Strength : 15 kN

Flange Width

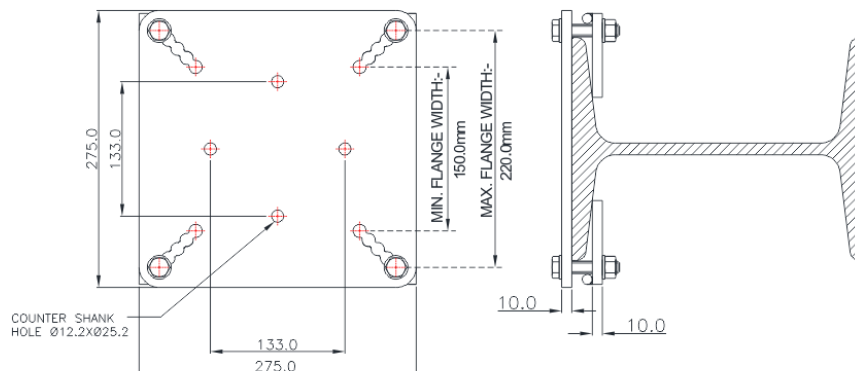
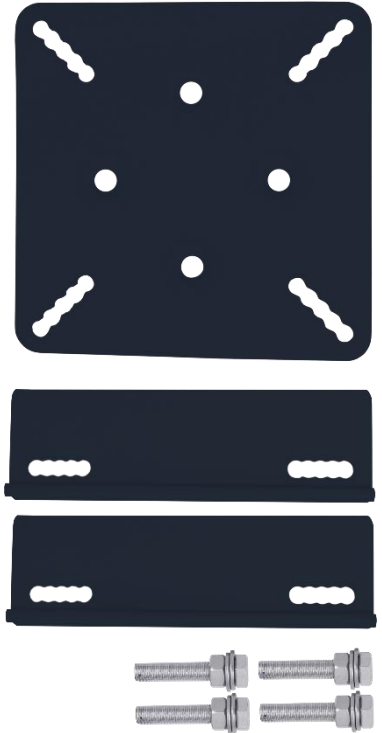
Minimum Flange Width Compatibility : 150.0 mm
Maximum Flange Width Compatibility : 220.0 mm

Weight

10.52 kg + 0.10 kg

Relevant Standards

Conforms to EN 795:2012 Type A, TS 16415:2013 Type A



CE 0598