

# EDGE STAINLESS STEEL M12 CONCRETE ANCHOR POINT

**AFA935515**

Single point anchor is designed to be fixed to Concrete walls, ceilings and floors using a Chemical Fastener.

## Features

- Chemical Anchor point is used for personal fall arrest systems (a single person) or for restraint /rescue.
- Simple and easy to use by connecting a lanyard or SRL which attaches directly to a full body harness.
- 14mm dia. x 110mm hole required for bolt
- Supplied with Stainless Steel ID Tag.
- Refer Hilti HVU for installation guide.
- Chemical Adhesive Capsule is not supplied with the bolt. Refer Hilti part number 256693 for 10HVU M12x110mm
- Suitable for Abseiling.

## How To Use

Refer to User Instruction Manual



## Metal Components

Eye Nut	:	316 Stainless Steel Threaded
Threaded Bolt	:	316 Stainless Steel M12 x 110mm
Chemical Adhesive Capsule	:	10HVU M12x110 Code: 256693

## System Strength

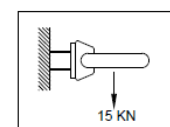
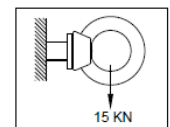
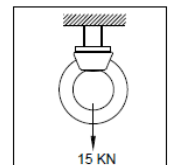
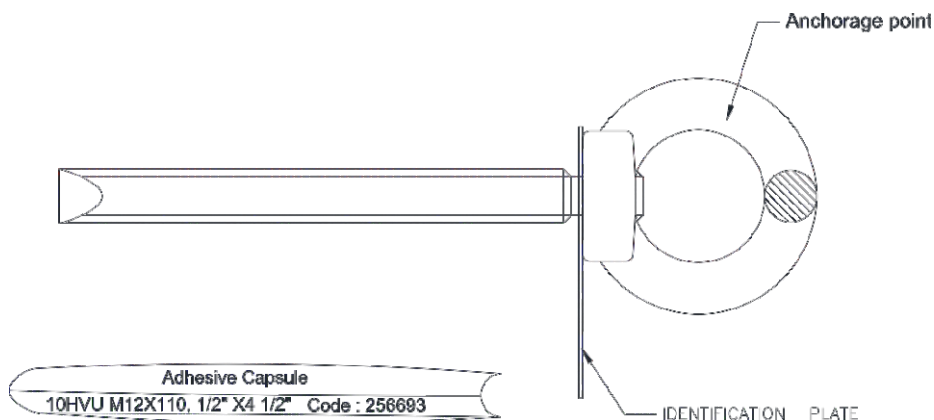
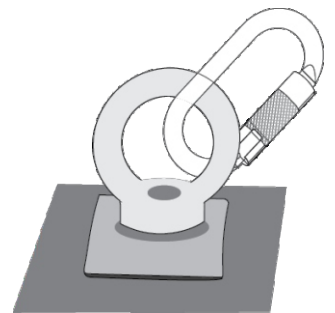
15 kN MBS

## Weight

301 gm ± 10 gm

## Relevant Standards

Conforms to AS/NZS 5532:2013, ANSI Z359.18-2017 Type A



CE 0598