

ANCHOR POST TO MOUNT SRL'S FOR STANDING SEAM ROOF PROFILES

AFA935407

Features

- Compatible with all KStrong range of retractable fall arrester Blocks, allowing 360° rotation.
- Designed to be installed on standing seam roof top with help of specially designed Seam Clips & fasteners.
- Compact & lightweight.
- Easy and quick to install to suit Seam bulb up to 23.0 mm.
- Span distance between 600mm - 900mm.

How to Use

Refer to User Instruction Manual



Metal Components

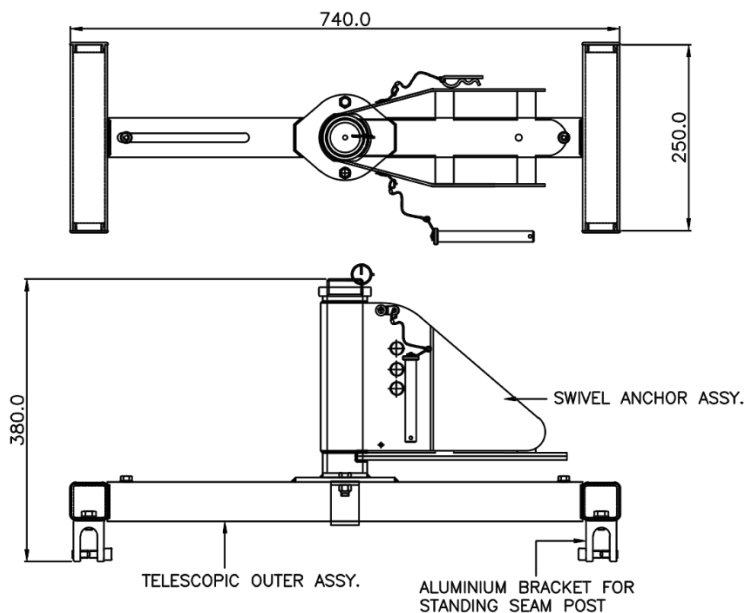
Mounting Bracket	:	High Strength Alloy Steel: ED Coated Black
Post and Cross Arm	:	High Strength Alloy Steel: ED Coated Black & Grey
Seam Clamps	:	Aluminum: Anodized
Bolts	:	SS316 Grade A4-70
Minimum Breaking Strength	:	23kN

Weight

15.97 kg ± 0.050 kg

Relevant Standards

Conforms to EN 795:2012 Type A & AS/NZS 5532:2013



CE 0598