

# ANCHOR EYE BOLT WITH NUT & WASHER

AFA9351AE

## Features

- Stainless Steel Anchor Eye Bolt is used to create an anchor point.
- Fix anchor point capable of being installed on a variety of metal structures.
- Suitable to be used on Extremity Posts
- For use as an anchorage point for fall protection equipment.

## How to Use

Refer to User Instruction Manual



## Metal Components

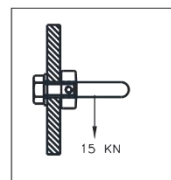
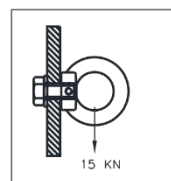
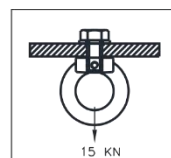
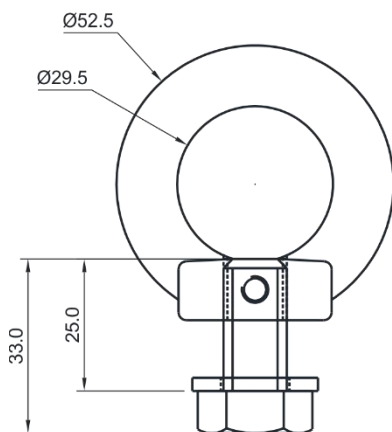
Anchor Plate	:	316 Stainless Steel : Electro-Polished
Bolts Hex Bolt (M12X25.0)	:	316 Stainless Steel
Minimum Breaking Strength	:	15 kN All Axis

## Weight

0.166 kg's ± 0.010 kg's.

## Standards

Conforms to EN795:2012 Type A & ANSI Z359.1-2007



CE 0598