

CHANNEL BRACKET SUITS KLIPIK & STANDING SEAM POSTS WITH 750MM SPAN

AFA935180

Features

- Bracket assembly has been designed to attach to the Extremity / Intermediate and Corner posts onto Kliplok & Standing Seam roof profiles with a seam distance of 750mm.
- Simply bolt either standing Seam Clamps (AFA935170) or Kliplok Clamps (AFA935172) directly to the bottom of each post.
- Clamps can be changed to suit Kliplok or Standing Seam profiles.

How To Use

Refer to User Instruction Manual



Metal Components

Channel Bracket : 6005 T6 Aluminum: Anodized
Minimum Breaking Strength : 15kN



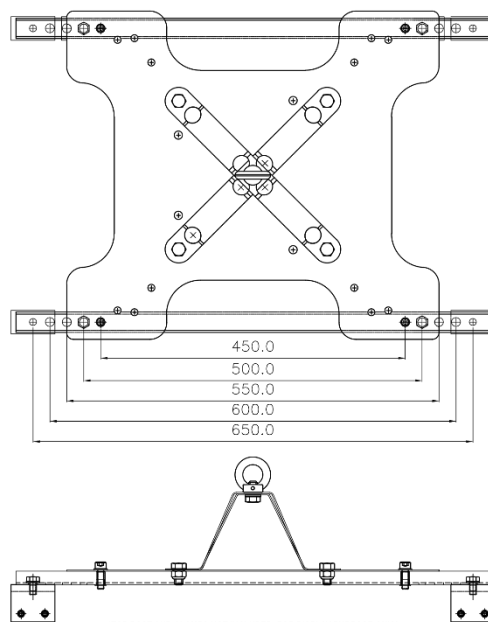
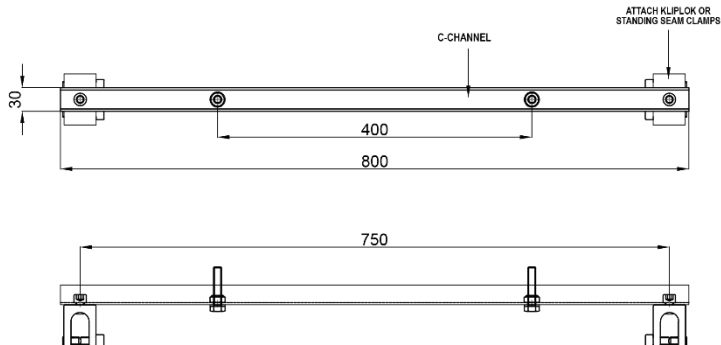
*Top Post & Clamps not included; for display purpose

Weight

1.22 kg / Bracket

Relevant Standards

Conforms to EN 795:2012 Type A & TS16415:2013 Type A



CE 0598