

## KSTRONG EDGE TEMPORARY T-BAR ROOF ANCHOR

AFA930551


KStrong T-Bar Steel Anchor allows multi-depth adjustment to suit varying roof cladding profiles allowing the user to work safely on roofs.

### Features

- Temporary T-Bar roof anchor provides simple and effective way for roof access onto sheet metal roofs.
- Fits to edge of the roof sheeting (in gutter line).
- By attaching a rope line and throwing the rope to the opposite side of the roof, it means workers can access the roof area and add other fall arrest anchorages on the upper roof area as required.
- Suitable for Trapezoidal and Custom Orb Roof profiles.



### How To Use

Refer to User Instruction Manual 

### Metal Components

Material	:	High Strength Steel
Finish	:	ED Coated
Minimum Breaking Strength	:	15kN

### Weight

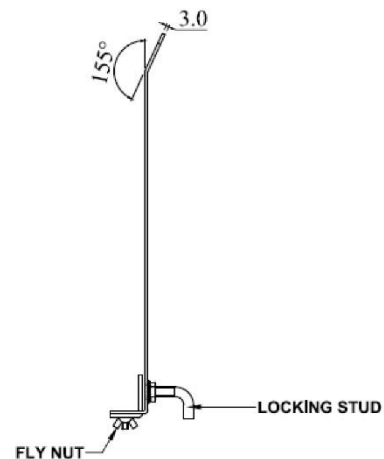
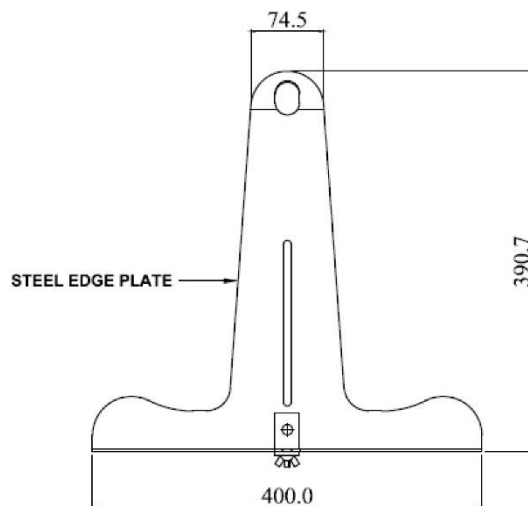
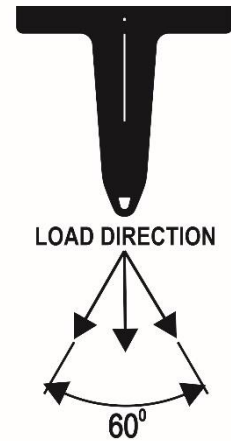
1.52kg ± 0.05 kg

### System Strength

15kN MBS

### Relevant Standards

Conforms to EN 795:2012 Type B & AS / NZS 5532:2013



CE 0598