

360 DEGREE ANCHOR BOLT TO SUIT METAL STRUCTURES

AFA930316

Features

- Anchor designed to be fixed on Metal structures.
- 360 degree Swivel D-Ring Anchor point that can Pivot or Flip 180 degrees to self align with direction of load.
- AFA930316 for Metal Structures supplied with M16 bolt x 110
- Suitable for Abseiling

How To Use

Refer to User Instruction Manual



Metal Components

Swivel Anchor	:	High Strength Alloy Steel -
Bolt - Structural Steel	:	Galvanized SS316 M16 x 110
Minimum Strength Breaking	:	44 kN

Weight

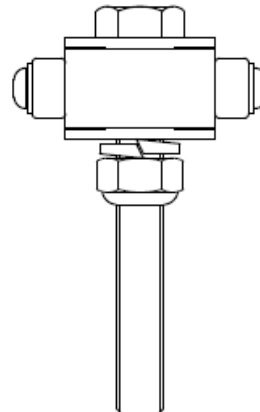
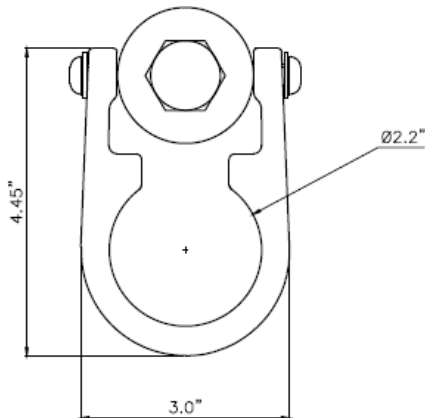
AFA930316 : 0.780 kg ± 0.035 kg.

System Strength

44kN MBS

Relevant Standards

Tested as per EN795:2012 Type A, ANSI Z359.18-2017 Type A & AS/NZS 5532:2013



CE 0598