



**BRUTE**<sup>™</sup>

---

USER INSTRUCTION MANUAL  
BRUTE LEADING EDGE  
RETRACTABLE FALL ARRESTERS

THESE INSTRUCTIONS APPLY TO THE FOLLOWING MODELS:

AFS510003.5SE, AFS510006SE, AFS510007SE, AFS510010SE, AFS510015SE,  
AFS510020SE, AFS550003.5SE, AFS550006SE, AFS550006.5SE, AFS550007SE,  
AFS550007.5SE

CE 0598  
EN 360:2023

CERTIFIED PRODUCT



AUSTRALIA & NZ STANDARDS  
Certified to AS/NZS 1891.3:2020  
Issued by BSI  
Vide Lic. No.: BMP 777809

Please read and understand the manufacturer's instructions for each component or part of the complete system. Manufacturer's instructions must be followed for proper use, care, and maintenance of this product. These instructions must be retained and be kept available for the user's reference at all times. Alterations or misuse of this product, or failure to follow instructions, may result in serious injury or death.

**Note:** The user is advised to keep this user instructions document for the life of the product.

This is the manufacturer's instruction manual drafted with an intention to meet the requirements of EN 360:2023 and Australia and New Zealand standards AS/NZS 1891.3 2020. This manual should be used as a part of an employee training program.

## **▲ WARNING !!**

The products in this Instruction Manual are a part of a personal protective, work support, or rescue system. The user must read and follow the manufacturer's instructions for each component of the system. This manual contains information important to your safety and should be kept in a safe place for future reference. The instructions provided in this manual are meant for the use of this equipment and should be read thoroughly and understood by the user before the equipment is used. Manufacturer's instructions must be properly followed for the correct use and maintenance of this equipment. Please contact KStrong for any questions regarding the use of this equipment.

## **1. PRODUCT DESCRIPTION**

The Sharp Edge Retractable Fall Arrester for horizontal usage is classed as a Personal Protective Equipment (PPE) by the European PPE Regulation (EU) 2016/425 and has been shown to comply with this Regulation through the Harmonized European Standard EN 360:2023 and Australia and New Zealand standards AS/NZS 1891.3 2020.

### **Important Note**

While this equipment is designed to enhance safety, no item of PPE can provide absolute protection. Caution must always be exercised when performing activities involving risks. This manual is prepared to ensure safe and effective use of the Brute Range of SRLs. For any inquiries or further assistance, please contact KStrong email [customer care@kstrongasia.com](mailto:customer care@kstrongasia.com), [customer care@kstrong.com.au](mailto:customer care@kstrong.com.au) or [customer care@kstrong.co.nz](mailto:customer care@kstrong.co.nz).

## **2. TRAINING**

To ensure that the user is familiar with the instructions provided in this manual, it is the responsibility of the user to undergo proper training for this, and for correct care and use of this equipment. It is also the employer's responsibility to ensure that all users are trained in proper use, inspection, and maintenance of Fall Protection Equipment.

## **3. POSSIBLE USAGE**

The Brute Sharp Edge SRL (SE SRL) is designed for use in environments where an exposed edge creates a potential fall hazard. Use in Sharp edge conditions must be considered a last option—only after safer methods such as restraint systems or overhead anchorage points have been assessed and ruled out. Always aim to eliminate or control the hazard before resorting to a Sharp edge setup.

## **4. EDGE TYPE SUITABILITY**

The Brute Sharp Edge SRL has undergone evaluation and testing for performance over representative edge types. Testing was conducted method on a smooth, burr-free steel edge to verify compliance for Sharp edge conditions.

## **5. EDGE CONDITION ASSESSMENT**

Before beginning work in a Sharp edge configuration:

- A qualified person must inspect and assess the edge conditions.
- Sharp edge setups are to be used only when no safer method can be applied.
- Evaluate all surfaces that the lifeline may contact—if an edge could damage the line, isolate or protect it using edge pads, rollers, or other protective systems before starting work.

## 6. TECHNICAL SPECIFICATIONS

No.	KStrong Model	Material	Length	MBS	Conformity
1	AFS510003.5SE	Casing: Robust and durable plastic Cable: Galvanized steel wire rope Ø4.8mm Metal: Steel Snap Hook	3.5 Meters	15kN	EN 360:2023 AS/NZS 1891.3:2020
2	AFS510006SE	Casing: Robust and durable plastic Cable: Galvanized steel wire rope Ø4.8mm Metal: Steel Snap Hook	6 Meters	15kN	EN 360:2023 AS/NZS 1891.3:2020
3	AFS510007SE	Casing: Robust and durable plastic Cable: Galvanized steel wire rope Ø4.8mm Metal: Steel Snap Hook	7 Meters	15kN	EN 360:2023 AS/NZS 1891.3:2020
4	AFS510010SE	Casing: Robust and durable plastic Cable: Galvanized steel wire rope Ø4.8mm Metal: Steel Snap Hook	10 Meters	15kN	EN 360:2023 AS/NZS 1891.3:2020
5	AFS510015SE	Casing: Robust and durable plastic Cable: Galvanized steel wire rope Ø4.8mm Metal: Steel Snap Hook	15 Meters	15kN	EN 360:2023 AS/NZS 1891.3:2020
6	AFS510020SE	Casing: Robust and durable plastic Cable: Galvanized steel wire rope Ø4.8mm Metal: Steel Snap Hook	20 Meters	15kN	EN 360:2023 AS/NZS 1891.3:2020
7	AFS550003.5SE	Casing: Robust and durable plastic Textile: Polyester webbing 25mm Metal: Steel Snap Hook	3.5 Meters	15kN	EN 360:2023 AS/NZS 1891.3:2020
8	AFS550006SE	Casing: Robust and durable plastic Textile: Polyester webbing 25mm Metal: Steel Snap Hook	6 Meters	15kN	EN 360:2023 AS/NZS 1891.3:2020
9	AFS550006.5SE	Casing: Robust and durable plastic Textile: Polyester webbing 25mm Metal: Steel Snap Hook	6.5 Meters	15kN	EN 360:2023 AS/NZS 1891.3:2020
10	AFS550007SE	Casing: Robust and durable plastic Textile: Polyester webbing 25mm Metal: Steel Snap Hook	7 Meters	15kN	EN 360:2023 AS/NZS 1891.3:2020
11	AFS550007.5SE	Casing: Robust and durable plastic Textile: Polyester webbing 25mm Metal: Steel Snap Hook	7.5 Meters	15kN	EN 360:2023 AS/NZS 1891.3:2020

## 7. IMPORTANT INFORMATION

- Inspect the equipment according to the manufacturer's instructions before each use. Refer pre-use inspection checklist on page 20-21.
- Inspection of equipment should be done on a regular basis by a qualified person, and the results must be recorded in the inspection log.
- DO NOT REMOVE product labels which include important warnings and information for the authorized person. "Authorized Person" is a person who is exposed to fall hazards during the course of their work. This individual requires formal training in the use of personal fall protection equipment and systems. The term "Authorized Person" may be used interchangeably with "User" and "End-User".
- DO NOT ALTER the equipment in any way.
- Always send the equipment back to the manufacturer or a KStrong Certified Service Centre or persons authorized in writing by the manufacturer for any repairs if required.
- Never use any natural material like Manila, cotton, etc. as part of a Fall Protection System.

- Fall protection equipment should only be used for the purpose for which it has been designed.
- This equipment should never be used for towing and hoisting or for any other purpose than its intended use.
- A competent person must ensure compatibility of the system to minimize any potential of accidental disengagement.
- Authorized persons or users shall be trained on all warnings and instructions provided in this manual.
- It is important for all authorized persons and users to refer to the applicable EN or AS/NZS Standards and to the regulations governing occupational safety.
- Take proper precautions to remove any debris, material, obstructions, etc., from the work area which could cause injury, or otherwise interfere with the functioning of the system.
- Always check for obstructions below the work area to make sure that the potential fall path is clear.
- Keep the equipment away from anything that could damage it such as sharp edges, rough or abrasive surfaces, high temperature surfaces, heat and welding sources, moving machinery, electrical hazards, etc.
- It is important to keep in mind environmental hazards when selecting fall protection equipment.
- Do not expose the equipment to chemicals, highly corrosive or caustic environments, or to direct sunlight and UV radiation, which may cause UV degradation.
- Such harmful environments require a more frequent inspection and servicing program of the fall protection equipment to maintain the integrity and safety of the equipment. Contact KStrong if in doubt.
- All the synthetic material of fall protection equipment must be protected from slag, hot sparks, open flames, or other heat sources.
- It is recommended that heat resistant materials are used in such applications.
- Allow adequate minimum clearance below the work surface.
- Always have a Rescue Plan ready and at hand when using this equipment.

### **▲ WARNING !!**

If a fall were to occur, then the forces of impact could affect the user. Hence it is important to consider the age, fitness level and the health condition of the user before the equipment is put to use. Consult a physician in case the user is not feeling physically fit and has doubts about their ability to safely absorb the fall arrest forces. This equipment is not meant for use by pregnant women and minors.

Immediately discard any product which is exhibiting unusual wear, deformity or deterioration.

Immediately remove from service any equipment that has been subjected to a fall.

## **8. COMPONENT COMPATIBILITY**

Component compatibility with KStrong manufactured fall protection equipment is ensured by strictly following the instructions for each type of equipment used. However, if the user utilizes combinations of components or sub systems that are manufactured by others, then only a "qualified" or "competent" person can ensure the compatibility. If substitutions or replacements are made with non-approved components or sub systems then this may severely affect the compatibility of the equipment, making the complete system unsafe for use.

## **9. COMPATIBILITY OF CONNECTORS**

Connectors are compatible with connecting elements when they have been designed to work together in such a way that their sizes and shapes do not cause their gate mechanisms to inadvertently open regardless of how they become oriented. Connectors (hooks, karabiners, and D-Rings) must be capable of supporting at least 23 kN.

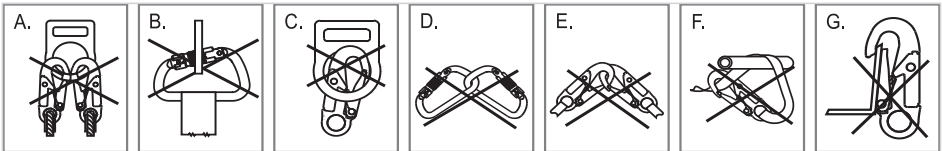
All connectors must be compatible with all system components like anchorages, etc. Never use equipment which is not compatible as this may cause the connectors to disengage unintentionally. All connectors must be compatible in shape and size. As per EN362:2004 or AS/NZS 1891.5 2020, only self-locking snap hooks and Karabiners may be used.

## 10. CONNECTIONS USING CONNECTORS

Ensure that only self-locking snap hooks and Karabiners are used with this equipment. All connections should be compatible in size, shape and strength. The connectors used should be suitable to each application. Ensure that they are fully closed and locked while in use.

## 11. NEVER USE INAPPROPRIATE CONNECTIONS

- Two or more connectors should never be attached to a single D-ring.
- Never attach a connector that could result in a load on its gate.
- Connectors should not be connected in a false engagement. It should be visually confirmed that the connector is fully engaged to the anchor point. Avoid conditions when features that protrude from the connectors catch on to the anchor, giving a false sense of being connected.
- Connectors should not be connected to each other.
- Connectors should not be connected directly to the webbing or to the rope lanyard or tie back, unless specifically allowed by the manufacturer.
- Connectors should not be connected to any object which does not allow the connector gate to close or lock. Anchor shapes that allow roll out to occur should never be used for connection. If the anchor to which the snap hook or karabiner is attached is undersized or irregular in shape, then this may allow for the gate of the connector to come in contact with the anchor, thereby causing the connector to open up and possibly disengage from the anchor. This is known as roll out of the connector.



- Do not use connectors on an anchorage object as shown in figure A TO G.

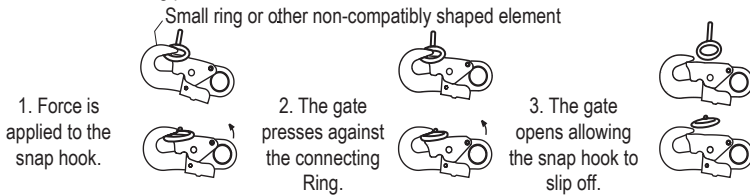
### **▲ WARNING !!**

Large throat opening snap hooks should not be connected to standard size D-rings or similar objects. If the hook or D-ring twists or rotates, this may result in a load on the gate of the connector. Large throat snap hooks are specifically designed for use on fixed structure elements such as rebar or cross members. These are shaped in such a way that they cannot capture the gate of the hook.

## 12. IMPORTANT RESTRICTIONS WHILE MAKING CONNECTIONS

- Do not connect a snap hook to the loop or thimble of a wire rope, nor attach it in any manner that may introduce slack into the wire rope.
- Do not make connections where the locking mechanism of the connector can come into contact with a structural member or other equipment as it may potentially unlock the connector and release the connection.
- When connecting a single or a pair of soft loops on a harness, only use a fully closing, fully locking karabiner. Snap hooks must not be used for these types of connections.
- A karabiner may be connected to a loop or ring that is already occupied by a choker style connector, provided it can fully close and lock. Snap hooks are not permitted allowed for these connections.

If the connecting element to which a snap hook (shown) or karabiner attaches is undersized or irregular in shape, a situation could occur where the connecting element applies a force to the gate of the snap hook or karabiner. This force may cause the gate (of either a self-locking or a non-locking snap hook) to open, allowing the snap hook or karabiner to disengage from the connecting point.



### 13. CONNECTING SUBSYSTEMS

Use only those subsystems (full body harnesses, lanyard, rope grab and lifeline, cable sleeves) that are suitable for your application. See subsystems manufacturer's instructions for more information. A full body harness must be worn when using the equipment mentioned in this manual. As per EN or AS/NZS, the free fall distance should be limited to less than 2m., when the personal fall arrest system is used. Additionally, the fall arrest force also should be less than 6kN. Ensure the karabiner cannot cross-gate load (load against the gate rather than along the backbone of the karabiner).

### 14. ENVIRONMENTAL HAZARDS

It is important to take additional precautions while using this equipment in the presence of any environmental hazard so as to prevent injury to the user or damage to the equipment. Environmental Hazards may include the following, but are not limited to:

- Chemicals
- Extreme Temperatures
- Corrosive Environments
- Gases
- High Voltage Power Lines - There is a possibility of an electric current to flow through the lifeline of the SRL's. Moisture absorbed by the lifeline may also cause the electric current to flow through the lifeline. Use extreme caution when working near such lines.
- Sharp Edges
- Moving Machinery and Vehicles
- Please contact KStrong with any questions regarding the use of this equipment in the presence of any environmental hazard.

#### **⚠ WARNING !!**

If the equipment has been subjected to forces of fall arrest, in the event of a fall, then the equipment should be immediately removed from service. Contact KStrong regarding any questions related to this.

This equipment is not designed to be used in high temperature environments. It is important to protect this equipment when using near activities like welding or metal cutting. Hot sparks may cause damage to this equipment or burn it. Contact KStrong for details on use of this equipment in high temperature environments.

### 15. ANCHORAGE STRENGTH

The application type determines the anchorage strength requirement. As per the European EN 795 and Australia and New Zealand standards AS/NZS 5532.2013, the necessary anchorage strength for the following applications is listed below:

- **Fall Arrest:** For this choose an anchorage that has a minimum of 12 kN (EN) and 15kN (AS/NZS), applied in directions permitted by the system. However, if more than one fall arrest system is attached to the anchorage, then the strength required has to be 23 kN multiplied by the systems attached to the anchorage.

- Anchorages that are used for attachment of Personal Fall Arrest Systems (PFAS) shall be independent of any anchorage being used to support or suspend platforms. They should be capable of withstanding a minimum load of 12 kN (EN) and 15kN (AS/NZS) per user attached. They should be designed, installed and used as part of a complete Personal Fall Arrest System which maintains a safety factor of at least two. Rating of the anchorage should always be done under the supervision of a qualified person.

## 16. GENERAL LIMITATIONS OF FALL ARREST SYSTEM AND REQUIREMENTS

It is important to consider the below mentioned limitations before using or installing this equipment.

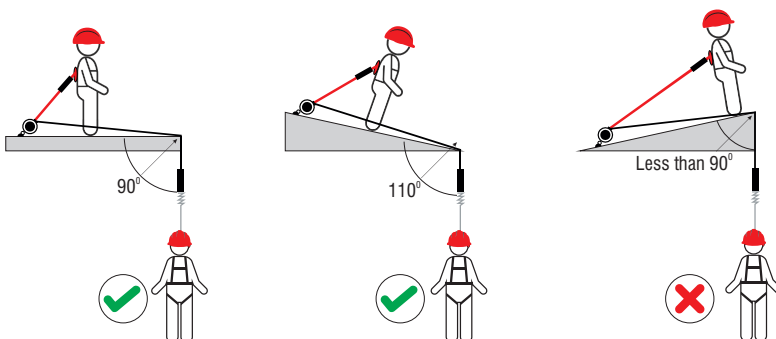
- KStrong SRLs are meant for use by ONE person only. The capacity of KStrong SRLs is from a minimum of 60 kgs to a maximum of 140 kg; hence, the combined weight (clothes, tools, shoes etc.) of a person using this equipment should not be less than 60 kgs or more than 140kgs. It is important to ensure that all the components in the system are rated to a capacity which is appropriate to the application.
- **Corrosion:** The SRL should not be left in any environment for a long period of time, if it causes corrosion of its metal parts. It is important to be cautious while working around corrosive substances like sea water, ammonium compounds, sewage, fertilizers, and other such environments. Corrosive damage impacts the performance of the SRL, hence the inspection of the SRL should be performed more frequently so as to check its functioning and performance.
- **Locking Speed:** The SRL requires an initial speed of retraction of the line to cause it to lock. However, this speed may not be achieved if there is an obstructed fall, or while working in confined spaces. Working in such conditions may limit the speed at which the locking of the SRL is achieved. Special care is required where the SRL is used while working on low-pitched roofs. Here the user may slide on the roof slope, rather than have a direct fall. This could also hamper the SRL locking mechanism. A clear path is required to ensure that the SRL's locking mechanism is activated.

### Free Fall and Anchorage Requirements for Sharp Edge SRLs Systems

When using a Self-Retracting Lifeline for Horizontal or Sharp Edge applications as part of a personal fall arrest system, it is critical to consider the required free fall distance and total minimum clearance as defined in EN 360 and AS/NZS 1891.3. An anchorage connection at foot level, positioned 1.5 m from the Sharp edge, requires less minimum clearance than an anchorage located directly at the edge (0.0m). Even this small positional change can increase the required free fall distance and overall minimum clearance.

A Sharp Edge SRL must not be used if:

- The anchorage connector angle is less than 90° to the working surface, or
- The anchorage connector is sloped downward away from the worker



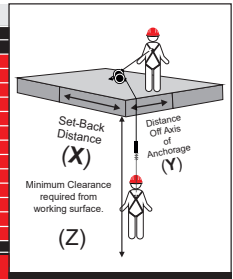
These conditions can result in improper retraction, excessive free fall distance, or device malfunction.

**Before use, always conduct a risk assessment that includes:**

- Swing fall hazard evaluation to minimize pendulum motion during a fall
- Identification of protruding or sharp-edge obstacles, and
- Verification of anchorage integrity and suitability for the intended load and configuration.

- **Minimum Clearance:** There should be sufficient clearance below the user to allow the system to arrest a fall so as to prevent the user from striking the ground or any other obstruction. Minimum clearance shall always be verified before use. Please refer MC value from Minimum clearance chart.Swing Fall Sharp Edge Hazards with 1.5 m Setback
- Under EN 360:2023 , a swing fall condition occurs when the user moves laterally away from the point directly beneath or in front of the anchorage. As illustrated in below, this lateral movement creates a pendulum effect during a fall event.
- To mitigate this hazard, an additional Minimum Required Minimum clearance (MRFC) must be applied to account for the pendulum motion.
  - The maximum allowable lateral travel should not be exceeded.
- If the user exceeds this maximum lateral distance, the swing force during a fall may cause the lifeline to contact or abrade against the Sharp edge, significantly increasing the risk of lifeline damage or failure, which could result in serious injury or death.

MINIMUM CLEARANCE CHART FOR FOOT LEVEL HORIZONTAL APPLICATION														
		Distance off Axis of Anchorage (Y)												
		0.0	0.5	1.00	1.50	2.00	2.50	3.00	3.50	4.00	4.50	5.00	6.00	
Set Back Distance(X)	0.0	5.40	5.79	6.25	7.01	7.62	8.23	8.84	9.45	9.45	10.67	11.28	11.89	12.50
	1.50	5.40	5.40	5.40	6.10	6.40	7.01	7.62	8.23	8.23	9.45	10.06	10.67	11.13
	3.00	5.40	5.40	5.40	6.10	6.25	6.40	7.01	7.32	7.32	8.53	8.84	9.45	10.06
	4.50	5.40	5.40	5.40	5.40	5.79	6.10	6.40	7.01	7.01	7.62	8.23	8.84	9.14
	6.00	5.40	5.40	5.40	5.40	5.64	5.79	6.25	6.40	6.40	7.32	7.62	8.53	8.53
	7.50	5.40	5.40	5.40	5.40	5.40	5.79	6.10	6.25	6.40	7.01	7.32	7.62	8.23
	9.00	5.40	5.40	5.40	5.40	5.40	5.79	5.79	6.10	6.10	6.71	7.01	7.32	7.62
	10.50	5.40	5.40	5.40	5.40	5.40	5.64	5.79	6.10	6.10	6.40	6.71	7.01	7.32
	12.00	5.40	5.40	5.40	5.40	5.40	5.40	5.79	5.79	5.79	6.25	6.71	7.01	7.32
	13.50	5.40	5.40	5.40	5.40	5.40	5.40	5.79	5.79	5.79	6.25	6.40	6.71	7.01
	15.00	5.40	5.40	5.40	5.40	5.40	5.40	5.40	5.79	5.79	6.10	6.25	6.71	6.86
	16.50	5.40	5.40	5.40	5.40	5.40	5.40	5.40	5.79	5.79	6.10	6.25	6.40	6.71
	18.23	5.40	5.40	5.40	5.40	5.40	5.40	5.40	5.79	5.79	6.10	6.10	6.40	6.71



### Sharp Edge SRL (used overhead)

KStrong Sharp Edge SRL can also be used as a standard SRL when connected overhead. In this configuration, the SRL is installed anywhere within the allowable attachment area, ranging from directly overhead to level with the full-body harness D-ring. When not used horizontally, the SRL functions as a conventional SRL under EN 360 and AS/NZS, providing automatic line retraction and energy absorption without the additional clearance or edge considerations required for Sharp edge applications.



\* Block can also be used in sharp edge condition.

### Ensure that all users:

- Confirm the anchorage position falls within the manufacturer's approved attachment zone,
- Verify the SRL label or markings permit dual-mode (LE and Non-LE) operation, and
- Follow the specific instructions provided in the manufacturer's user manual for each configuration. Whenever possible, position the anchorage connection above the worker's head height and at least 1.5 m back from the Sharp edge. This configuration minimizes free fall and swing potential while ensuring compliance with EN 360 testing parameters.
- **Overhead Free Fall:** As per EN360 and AS/NZS 1891.3. 2020 the personal fall arrest systems used with this equipment must be rigged in such a way that the free fall does not exceed 2.0m. Ensure that there is no slack in the lifeline, while using the SRL. Also, never extend the length of the lifeline by connecting a lanyard to it. Do not anchor the SRL at or below foot level unless specifically designed for that function as this will increase your free fall distance beyond the permissible levels as specified by EN360. Additionally, this could also cause excessive load impact on the SRL, thereby exceeding its capabilities to safely arrest a fall. Contact KStrong for any further information required.
- **Overhead Minimum clearance:** There should be sufficient clearance below the user to allow the system to arrest a fall so as to prevent the user from striking the ground or any other obstruction.
- User must work vertically below the Retractable Fall Arrestor to avoid contact with the ground or any obstacle during a fall, including the risk of pendulum effect. In case there is risk of swing fall, the MC and PE shall always be verified before use. (Refer Fig-1 page number 10).

### Swing Falls Over Head:

Swing fall occurs when the position of the anchorage point is not directly above the point where a fall occurs. In such a case if a fall were to occur, it will result in pendulum swing of the fall victim and may also cause them to strike nearby objects with a force. This may cause serious injury or even death. Such swing falls may be minimized by ensuring that the anchorage is directly overhead, and by working as close to the anchorage point as possible. Swing falls will substantially increase the minimum clearance required when a SRL or other variable length connecting subsystems are used. Stay within 40° of the overhead anchor when using an SRL.

#### Key

**H<sub>AD</sub>** : Arrest distance (max. 1.4 m for overhead configuration and 2.5 m for foot level configuration).

**V<sub>D</sub>** : Vertical displacement due to lateral offset.

**A** : Lateral offset

**PE** : Pendulum effect past the vertical (Minimum clearance required for pendulum effect).

Minimum clearance (MC) is taken from the feet of the user in a standing position and includes the arrest distance (H<sub>AD</sub>), the vertical displacement (V<sub>D</sub>) due to a lateral offset plus an additional safety clearance of 1m.

#### Overhead Vertical Application:

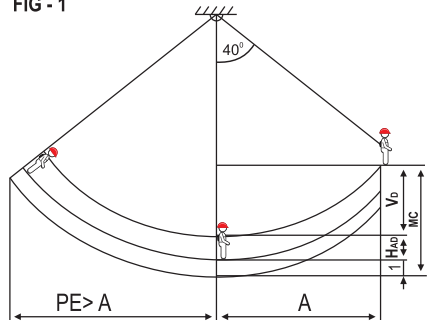
The necessary Minimum Clearance (MC) below the feet of the user (See below FIG-1 and Minimum Clearance Chart) to avoid collision with the ground or other obstacles:-

$$MC = H_{AD} + V_D + 1m(\text{Safety Clearance})$$

$$MC = 1.4m + V_D + 1m$$

$$MC = 2.4m + V_D$$

FIG - 1



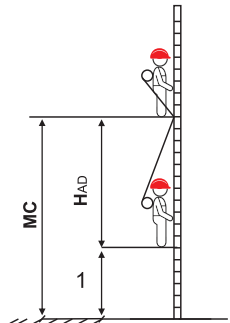
#### Foot Level Vertical Application:

The necessary minimum clearance (MC) below the feet of the user (See below FIG-2) to avoid collision with the ground or other obstacles in vertical configuration ( Foot level attachment):-

$$H_{AD} = 2.5(\text{max arrest distance}) + 1.5(\text{user height}) + 0.3(\text{Harness Stretch})$$

$$MC = 4.3 + 1m = 5.3m$$

FIG - 2



### MINIMUM CLEARANCE CHART

SRL LENGTH	2	3.5	7	7.5	10	15	20	25	30
Max Offset Angle	<b>0 Degree</b>								
VD (Vertical displacement due to lateral offset)	0.0	0.0	0.0	0.0	0.0	0.0	0.0	0.0	0.0
MC (Minimum clearance)	2.4	2.4	2.4	2.4	2.4	2.4	2.4	2.4	2.4
A (Lateral offset)	0.0	0.0	0.0	0.0	0.0	0.0	0.0	0.0	0.0
PE (Min. Clearance For Pendulum Effect)	0.0	0.0	0.0	0.0	0.0	0.0	0.0	0.0	0.0
Max Offset Angle	<b>10 Degree</b>								
VD (Vertical displacement due to lateral offset)	0.0	0.0	0.1	0.1	0.2	0.2	0.3	0.4	0.5
MC (Minimum clearance)	2.4	2.4	2.5	2.5	2.6	2.6	2.7	2.8	2.9
A (Lateral offset)	0.3	0.6	1.2	1.3	1.7	2.6	3.5	4.3	5.2
PE (Min. Clearance For Pendulum Effect)	0.8	1.0	1.6	1.7	2.2	3.0	3.9	4.8	5.6
Max Offset Angle	<b>20 Degree</b>								
VD (Vertical displacement due to lateral offset)	0.1	0.2	0.4	0.5	0.6	0.9	1.2	1.5	1.8
MC (Minimum clearance)	2.5	2.6	2.8	2.9	3.0	3.3	3.6	3.9	4.2
A (Lateral offset)	0.7	1.2	2.4	2.6	3.4	5.1	6.8	8.6	10.3
PE (Min. Clearance For Pendulum Effect)	1.5	2.0	3.2	3.4	4.2	5.9	7.7	9.4	11.1
Max Offset Angle	<b>30 Degree</b>								
VD (Vertical displacement due to lateral offset)	0.3	0.5	0.9	1.0	1.3	2.0	2.7	3.3	4.0
MC (Minimum clearance)	2.7	2.9	3.3	3.4	3.7	4.4	5.1	5.7	6.4
A (Lateral offset)	1.0	1.8	3.5	3.8	5.0	7.5	10.0	12.5	15.0
PE (Min. Clearance For Pendulum Effect)	2.2	3.0	4.7	5.0	6.2	8.7	11.2	13.7	16.2
Max Offset Angle	<b>40 Degree</b>								
VD (Vertical displacement due to lateral offset)	0.5	0.8	1.6	1.8	2.3	3.5	4.7	5.9	7.0
MC (Minimum clearance)	2.9	3.2	4.0	4.2	4.7	5.9	7.1	8.3	9.4
A (Lateral offset)	1.3	2.2	4.5	4.8	6.4	9.6	12.9	16.1	19.3
PE (Min. Clearance For Pendulum Effect)	2.8	3.8	6.0	6.4	7.9	11.2	14.4	17.6	20.8

All the values are in meters

## **17. PERIODIC EXAMINATION**

Always keep the instructions provided with the product. Take the information from the markings on the product and enter this information in the identification sheet. It is essential to check the condition of the equipment and ensure safety of the user through periodic examination of the product. This equipment must be examined by a qualified person at least once every six months, strictly complying with the instructions of the manufacturer. Also, record the previous check on the attached sheet. If the equipment is in heavy usage or is used in a harsh environment, then the frequency of inspection should be increased in accordance with the regulations. Check also that the markings on the product are legible.

## **18. PURPOSE AND APPLICATION**

KStrong SRLs are used to safely expand the working area, where a harness with a 1.8m lanyard is inadequate. Hence the lanyard line extends to the required length, as per use. When the length is shortened, the line retracts into its casing, ensuring that there is no slack in the line. More importantly, the SRL is designed to immediately arrest the fall of the user, and also to limit the shock loading on to the body of the user. The SRL is a part of the personal fall arrest system, along with other components like full body harness and anchorage connector.

## **19. LIMITATION OF USE OF KSTRONG SRLs**

KStrong Self-Retracting Lifelines (SRLs) are designed for use exclusively as components of a personal fall arrest system. All elements of such a system - Full Body Harnesses, Connectors, Hooks, Lanyards, Anchors and related components are engineered to function together to ensure safe fall arrest performance and to minimize impact forces on the user.

KStrong strongly recommends that only KStrong manufactured components or subsystems be used in conjunction with KStrong SRLs. If equipment from another manufacturer is to be incorporated, its compatibility must be assessed and confirmed by a qualified person. The use of substitute or non-approved components may compromise system compatibility and severely reduce safety, potentially rendering the entire fall arrest system unsafe for use.

## **20. INSPECTION OF COMPONENTS OF PERSONAL FALL ARREST SYSTEM**

It is mandatory to have a detailed visual inspection of all the Harnesses, Lanyards, Connectors, Anchors etc. prior to each use. This ensures that the equipment is in good condition and is operating correctly. If there are any doubts regarding the safe state of product or if the product has been used to arrest a fall, then immediately withdraw the equipment and send it back to the manufacturer or to the qualified authorized repair center. Check on the back-shoulder straps of the harness for the fall indicators, which should be intact. If it is found to be deployed, then the harness should be removed from use immediately. Never attempt to repair or modify a Personal Protective Equipment (PPE).

## **21. INSPECTION**

### **Pre-use and periodic inspection**

It is mandatory that a competent person other than the user must perform a formal inspection of Personal Fall Arrest Systems (PFAS) and its components at least once every six months. This frequency should be altered based on conditions for use or exposure. The competent person shall determine appropriate inspection intervals in accordance with Appendix A of this UIM. The inspection results should be recorded in the equipment record at the end of this manual.

Equipment shall be inspected by the authorized person prior to each use. In addition, equipment shall undergo periodic inspections by a competent person other than the user, and by an authorized inspection centre.

### **Inspection criteria**

The authorised person shall establish and maintain inspection criteria for all equipment. These criteria shall meet or exceed the most stringent requirements specified by this standard or by the manufacturer's instructions. Inspection criteria shall be reviewed and updated regularly to account for changing patterns or conditions of use.

### **Documentation of inspection**

Records of all equipment inspections shall be maintained by the company authorised person . At a minimum, these records shall include:

- Equipment identification.
- Date of inspection.
- Name of the competent person conducting the inspection; and
- Results of the inspection, including any deficiencies detected.

### Action on defects

When an inspection reveals any of the following:

- Defects in equipment.
- Damage to equipment.
- Inadequate maintenance; or
- Activated fall indicators.

The equipment shall be immediately removed from service until it has been repaired, replaced, or otherwise deemed safe in accordance with manufacturer instructions.

### Purpose and frequency of two-level inspection

The purpose of a two-level inspection system is to provide independent oversight to detect and prevent the use of defective, damaged, or improperly maintained equipment. When deficiencies are identified during a competent person's inspection, the organization shall consider:

- Providing additional training or retraining for users in equipment inspection, maintenance, use, and storage; and
- Selecting alternative equipment if the current equipment is unsuitable for the conditions of use.

The frequency of periodic inspections by a competent person shall be determined by the user organization based on relevant factors, including:

- The nature and severity of workplace conditions affecting the equipment.
- Modes of equipment use; and
- Duration and frequency of exposure to operational conditions.

**Appendix A:** EN365 of the PPE Regulation 2016 Inspection Requirements - based on Pre Use Inspections have been completed and recorded.

Type of Use	Application Examples	Conditions Of Use	Inspection Frequency of Competent Person	Authorized Inspection Centers
Infrequent to light	Rescue and confined space, factory maintenance	Good storage conditions, indoor or infrequent Outdoor use, room Temperature, clean Environments	Annually	At least every 3 years, but not longer than intervals required by the manufacturer
Moderate to Heavy	Transportation, residential construction, utilities, warehouse	Fair storage conditions, indoors and extended Outdoor use, all temperatures, clean or dusty environments	Semi-annually to annually	At least every 2 years, but not longer than intervals required by the manufacturer
Severe to Continuous	Commercial, construction, Oil and Gas, Mining and offshore	Harsh storage conditions, prolonged or continuous outdoor use In all temperatures, dirty or corrosive environments	Quarterly to semi-annually	At least annually, but no longer than intervals required by the manufacturer

**Appendix B:** AS/NZS 1891.4:2025 Inspection requirements have been completed and recorded.

Type of Use	Application Examples	Conditions Of Use	Inspection Frequency of Competent Person	Authorized Inspection Centers
Infrequent to light	Rescue and confined space, factory maintenance	Good storage conditions, indoor or infrequent Outdoor use, room Temperature, clean Environments	6 months	At least every 3 years, but not longer than intervals required by the manufacturer
Moderate to Heavy	Transportation, residential construction, utilities, warehouse	Fair storage conditions, indoors and extended Outdoor use, all temperatures, clean or dusty environments	6 Months (Equipment used in harsh environments may require more frequent inspections)	At least every 2 years, but not longer than intervals required by the manufacturer
Severe to Continuous	Commercial, construction, Oil and Gas, Mining and offshore	Harsh storage conditions, prolonged or continuous outdoor use In all temperatures, dirty or corrosive environments	6 Months (Equipment used in harsh environments may require more frequent inspections)	At least annually, but no longer than intervals required by the manufacturer

## 22. CHOOSE THE RIGHT ANCHORAGE POINT FOR THE SRL

### Sharp Edge SRL Applications:

When using a Sharp Edge Self Retracting Lifeline as part of a personal fall-arrest system, the anchorage selection and positioning are critical to safe performance.

- Anchorage strength: The anchorage must be capable of sustaining a static load of at least 12 kN (EN) or 15 kN (AS/NZS) in the direction of the applied load.
- Permitted locations: For SE SRLs, the anchorage may be located at, below, or above the user's D-ring height, including foot-level connections, but only within the manufacturer's tested and approved Sharp Edge configurations.
- Setback requirement: Whenever possible, position the anchorage at least 1.5 m back from the Sharp edge to reduce swing-fall and edge-contact risk.
- Orientation limits: The anchorage must not be sloped downward or at an angle less than 90 degrees away from the user.
- Edge considerations: Sharp Edge SRLs are designed to tolerate potential contact with a sharp or abrasive edge during a fall, but the edge must be representative of the device's tested edge radius and material type.
- Free-fall and clearance: Verify that the total clearance (Z) below the work surface meets or exceeds the manufacturer's specified Minimum Required Minimum clearance (MRFC) plus the 1.0m safety margin.

### Standard SRL (Overhead) Applications (not Horizontal Use):

When an SRL is used in non-Sharp-edge, overhead conditions, follow standard fall-arrest anchorage requirements:

Anchorage placement: The anchor should be positioned directly overhead of the user so the lifeline remains vertical and swing-fall potential is minimized.

- Do not work above the anchorage point. Working above the anchor can result in excessive free-fall distance.
- Anchorage strength: Must be capable of sustaining a minimum 12 kN (EN) or 15 kN (AS/NZS) static load in the anticipated direction of fall arrest.
- Lifeline tension: Keep the SRL lifeline under constant tension; avoid slack, which increases free-fall distance and arrest forces.
- Movement: Move deliberately and smoothly—sudden jerky actions can cause the SRL's locking mechanism to engage unexpectedly.

### SHARP EDGE SELF-RETRACTABLE LIFELINES (SE SRL)

Almost all Self-Retracting Lifelines (SRLs) are designed to be anchored and used in an overhead position, where the lifeline remains vertical during normal operation. However, in certain work environments — such as roofing, decking or platform construction — it is not always possible or practical to install an overhead anchor.

In these exceptional cases, KStrong provides specially engineered Sharp Edge Self-Retracting Lifelines (SE SRL). These systems are tested and certified in accordance with EN 360:2023 to safely perform under foot level tie-off conditions and horizontal use.

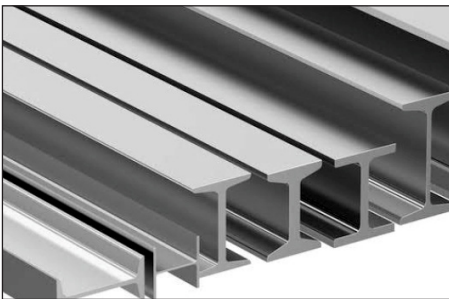
#### Key Features of Sharp Edge SRLs

- Incorporate enhanced energy absorbers that can withstand the greater fall arrest forces generated when the lifeline extends horizontally before arrest.
- Feature reinforced cables or high-durability webbing designed to resist damage when coming into contact with a sharp or abrasive Sharp edge during a fall.
- Include integrated impact indicators to signal when a device has been exposed to a fall or shock load.
- Designed and tested to limit arrest forces, free-fall distance, and total minimum clearance (Z), even in horizontal or edge-exposure conditions.

#### Examples of a Sharp Edge

- A Sharp edge is any surface over which a worker could fall and where the lifeline might come into contact during the fall event.
- The unprotected edge of a roof, deck.
- The edge of structural steel bars, steel beams.
- The edge of structural Concrete slabs.

These edges can act as sharp contact points, potentially abrading, cutting, or deforming the lifeline during a fall. Only SE SRL devices specifically tested and marked for Sharp Edge use should be deployed in these conditions.



Structural steel I-Beams and purlins.



Steel deck and metal roofing

**NOTE :** SE SRL Can Be Anchored At Foot Level But Not Below Foot Level.  
SE SRL should be anchored at minimum setback distance of 600mm from the potential Sharp edge.

### 23. INSTRUCTIONS FOR USE:

**Before each use, verify the SRL's locking function by applying a sharp tug to the snap hook at the lifeline termination. The unit must lock immediately. Do not use the SRL if it fails this test.**

The following steps outline the correct use of a Sharp Edge Self-Retracting Lifeline (SE SRL) in compliance with EN 360: 2023 and AS/NZS 1891.3 2020 requirements. Always read the manufacturer's user instructions before use.

#### STEP 1: Pre-Use Check

- Inspect the SRL and all components before each use.
- Refer to the Pre-Use Inspection Checklist (pages 20–21) or your company's inspection record.
- Confirm that:
  1. The SRL housing, energy absorber, and lifeline show no cuts, corrosion, fraying, or deformation.
  2. The swivel hook and karabiners operate correctly and lock securely.
  3. The SRL label is legible and indicates it is rated for Sharp Edge (LE) use.
  4. The maximum user weight (including tools and PPE) is within the product's rated capacity.

#### STEP 2: Anchor Connection

- Attach the anchorage eye of the SRL to a suitable rated anchor point using an approved locking karabiner or connector.
- Ensure the anchorage point meets minimum strength requirements: **≥ 12 kN (EN) or ≥ 15 kN (AS/NZS)**
- The anchorage may be located: Overhead, or below D-ring height for Sharp Edge applications, provided it is within the manufacturer's tested configuration.
- Do not attach the SRL to anchorage points that are sloped downward, angled away, or beyond the tested Sharp-edge zone.
- Always ensure the karabiner gate is fully closed and locked.

#### STEP 3: Harness Connection

Connect the swivel snap hook (or connector) from the SRL to the dorsal D-ring of your full-body harness.

Ensure:

- The hook rotates freely and locks automatically.
- The connector is compatible with the harness D-ring and free of side-loading.
- Never connect to a belt, side, or front ring unless specified by the manufacturer.

#### STEP 4: Operation

- You may now move up, down, and across the work zone within the manufacturer's allowed range.
- Maintain constant tension in the lifeline; avoid slack.
- Move smoothly and deliberately- sudden or jerky movements may cause the SRL to lock.
- In the event of a fall, the SRL will automatically arrest the fall, limit free-fall distance, and reduce impact forces through the integrated energy absorber.
- Do not exceed the maximum user weight specified on the product label (including tools and PPE).
- After any fall arrest or if the SRL has been shock-loaded, remove it from service immediately and have it inspected by a competent person before reuse.

**▲ WARNING !!**

Inspect all the other components of the Fall Arrest, Work Positioning, Rescue systems that are to be used, as per the manufacturer's instructions.

Remove from use immediately if the equipment shows evidence of having arrested a fall, or if it is unfit for further use.

It is important to ensure that the connecting elements of the connectors are compatible in size and shape, while making a connection with the hooks and karabiners

Never connect a hook to a hook, or a karabiner to a karabiner, or a karabiner to a hook.

Also make sure not to connect a connector to any element that may cause the hook or karabiner material to distort, abrade or wear out.

**24. TRAINING**

It is essential that the users of this type of equipment receive proper training and instruction, including detailed procedures for the safe use of such equipment in their work application. Minimum Requirements for a Comprehensive Managed Fall Protection Program, establishes guidelines and requirements for an employer's managed fall protection program, including policies, duties and training, fall protection procedures, eliminating and controlling fall hazards, rescue procedures, incident investigations, and evaluating program effectiveness.

**25. RESCUE PLAN**

A rescue plan must be in place before performing work at height. The rescue operation must be performed by trained and competent personnel only. The rescue expert team should supervise the rescue operation performed. It is also advised to work in pairs while working on the site.

**26. ADVICE & INFORMATION**

- The SRL should be the personal property of the user.
- Ensure that the SRL is compatible with other items when assembled into a system.
- Usage with other non-compatible items may be dangerous & hazardous as the safe function of one item may be affected or interferes with the safe function of another.
- The user should carry out a pre-use inspection check of the SRL prior to use, to ensure that it is in a serviceable condition and operates correctly before it is used. Refer preinspection checklist on page 20-21.
- The pre-use check shall involve checking of any wear or abrasion on wire ropes/webbing and sign of corrosion if any on metal parts or any breakage of the casing.
- Withdraw from use immediately if there is any doubt about its safe condition or if it has already arrested a fall, the equipment shall not be used again until confirmed in writing by a competent person that it is acceptable to do so.
- Ensure that the strength of the anchor device have a minimum of 12 kN (EN 795) and 15kN (AS/NZS 5532:2013).
- Use karabiners to connect to the overhead anchor point. As per EN, karabiners must conform to EN 362 and forAS/ NZS1891.5 2020 must use EN362 with a minimum gate strength of 6 kN or ANSI Karabiners.
- It is advisable to use the dorsal attachment D-Ring of the harness for connection to the Retractable Fall Arrester.
- However if it is not possible for any reason, the chest attachment element may also be used.
- User is advised to keep the User Instructions document for the life of the product.
- Following conditions may be hazardous & may affect the performance of Retractable Fall Arrester:
  - Extreme temperature
  - Trailing or looping of Lanyards over sharp edges.
  - Extreme acidic or basic environments.
  - Abrasive or sharp edge structures which can damage the equipment.
  - Pendulum falls.

- Ensure that manufacturer's packaging is used during transportation to prevent damage. In case the original packaging is not available, use polybag which is sealed to prevent moisture.
- It is essential for the safety of the user that if the product is resold outside the original country of destination, the reseller shall provide instruction for use, for maintenance, for periodic examination and for repair in the language of the country in which product is to be used.
- This is advised that annual inspection should be done by a competent person & if any discrepancy is found in product service will be done at authorized service center only.
- During inspection, it is necessary to check the legibility of the equipment marking.
- Only the models with the marking on the product itself are suitable for use in an Explosive Atmosphere.
- A full body harness is the only acceptable body holding device that can be used in a fall arrest system.
- Cleaning procedure is to be strictly adhered to manufacturers instructions. Refer KStrong UIMs for procedure for cleaning.
- Inspect all the other components of the Fall Arrest, Work Positioning, Rescue systems that are to be used, as per the manufacturer's instructions.
- Remove from use immediately if the equipment shows evidence of having arrested a fall, or if it is unfit for further use.
- It is important to ensure that the connecting elements of the connectors are compatible in size and shape, while making a connection with the hooks and karabiners.
- Never connect a hook to a hook, or a karabiner to a karabiner, or a karabiner to a hook.
- Also make sure not to connect a connector to any element that may cause the hook or karabiner material to distort, abrade or wear out.
- Ensure the medical condition of the user does not affect his safety in normal and emergency use.
- The SRL shall only be used by a person trained and competent in its safe use.
- A rescue plan shall be in place to deal with any emergencies that could arise during the work.
- Do not make any alterations or additions to the SRL without the manufacturer's prior written consent and that any repair shall only be carried out by personnel trained by the manufacturer & duly authorized by him.
- The SRL shall not be used outside its limitation, or for any purpose other than that for which it is intended.
- Any alteration to the device by putting tape, slings, paint, or any other form of alteration is not permitted, and it may lead to major accident or fatality, since this product is a life saving device and no modification should be done by any person / company other than the competent person or organization approved by manufacturer itself.
- The Retractable Fall Arrester and Twin Retractable Fall Arrester may be used under vertical, horizontal, overhead vertical application, foot level vertical application.
- Maximum allowable angle from the true vertical is 40 degrees.
- A connector conforming to EN 362:2004 shall be used to connect with the retractable lanyard. ensure that not more than 600mm of un-retracted length is available out side housing including connector.
- Always make connection to a over head anchorage point rated to 12kN as per EN795:2012 or 15kN as per AS/NZS 5532:2013
- Always make connection to the dorsal attachment of the full body harness conforming to EN 361:2002 or AS/NZS 1891.1 2020 by a connector complying to EN 362:2004, EN 362:2004 (6 kN gate strength) or ANSI.
- Visual fall indicator is available near the swivel eye of the steel snap hook which remains green until the device has arrested a fall. The visual indicator turns red in the event of a fall arrest and the device must be removed from the service. The device that comes with external shock absorber, its deployment act as fall indicator.
- The Retractable Fall Arrester shall not be used in any application where self -locking function may not activate like inclined surfaces & free-falling solids.

#### **I. Additional information**

- a. It is possible to use a horizontal retractable type fall arrester over an sharp edge.

- b. It is recommended to avoid the loading of the retractable type fall arrester over edges.

## II. Additional information

- a. The retractable type fall arrester has been successfully tested for horizontal use and a drop over a Sharp Edge.

**Sharp edge definition:** A steel edge with a radius of  $r = 0.5$  mm and without burrs was used for the test. Due to this test, the equipment may be used over similar edges, as can be found e.g. at rolled steel profiles, such as roofing, decking or platform construction. However, the following shall be considered when the equipment is used in a horizontal or transverse arrangement and a risk of a fall from a height over an edge exists:

1. If the risk assessment carried out before the start of the work shows that the edge is very "cutting" and / or "not free of burrs" (such as in case of an unclad roof parapet or a rusty steel girder)
    - Relevant measures shall be taken before the start of the work to prevent a drop over the edge or, before the start of work, an edge protection shall be mounted or
    - The manufacturer shall be contacted.
  2. The anchor point should only be situated at the same height as the edge at which a fall might occur or above the edge.
  3. Ensure adequate clearance as specified in the above chart for vertical and horizontal use to prevent collision with adjacent structures or the ground in the event of a fall.
  4. To attenuate a drop ending in a pendulum movement, the working area or lateral movements to both sides of the centre axis shall be limited to a maximum of 1.50 m. In other cases, no individual anchor points, but, eg., type C or type D anchor devices in accordance with EN 795:2012 and AS/NZS 5532:2013 shall be used.
- a. The Retractable Fall Arrester Block can also be used with Type C anchor device.
  - b. The deflection of the anchor device shall be taken into account when determining the clearance required below the feet of the user. To that effect, the indications specified in the instructions for use of the anchor device shall be considered.
  - c. Care must be taken to avoid collision with any obstruction in the event of a fall.
  - d. It is advised that, for the event of a fall over the edge, special pre-planned rescue measures must be taken under the guidance of a well-trained and competent personnel.

Before each use, verify the SRL's locking function by applying a sharp tug to the snap hook at the lifeline termination. The unit must lock immediately. Do not use the SRL if it fails this test.

**SELF RETRACTING LIFELINE (SRL)**

The top swivel anchor allows the SRL to rotate preventing the twisting or tangling whilst ensuring the user stays aligned.

Label



High Impact Polymer Casing

**Ergonomic carry handle** allowing the user to transport the SRL with ease.

**Snout for minimizing the accidental Locking** consists of Snout which minimizes the accidental locking of the Block when the wire rope is released suddenly.

**Energy Absorber-**

Designed to reduce the impact force generated during a fall by absorbing and dissipating energy, thereby limiting the load transmitted to the user and the anchorage system.


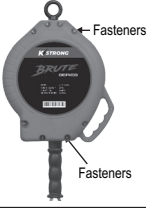

**Impact Indicator** allows easy visual inspection to determine if the unit has experienced a fall by a user.

Galvanized or Stainless Steel Swivel Hook provides corrosion resistance.

**⚠ WARNING !!**

Before every use, each SRL must be checked to ensure the locking function is working properly. This is a mandatory step and in case of failure to follow this step the manufacturer will not be liable for any loss, injury or damage. A pre-use inspection must be carried out as per the checklist below and a record of each check must be maintained for the full lifespan of the SRL. It is the user's responsibility to read and understand the manufacturer's instructions provided with the product at the time of shipment and to receive proper training from the authorized personnel. The manufacturer will not be liable for any loss, injury, or damage resulting from incorrect use, lack of training, or improper installation. The suggested service interval of 3 years shall be changed in consultation with authorized person when SRL is intended to be used in Chemical, corrosive, marine or other aggressive environments including extreme temperature exposure, UV exposure, abrasions, cuts, violent impacts, incorrect use, or lack of maintenance.

**PRE USE INSPECTION CHECK LIST SELF RETRACTABLE LIFELINE (SRL)**

<b>Description:</b>		<b>Model No.:</b>		
<b>Serial No.:</b>		<b>Batch Number:</b>		
<b>Date of Manufacture:</b>		<b>Date of Purchase:</b>		
<b>Inspector:</b>		<b>Last Inspected on:</b>		
Checking Area		Inspect for	Guide Lines for inspection	Remarks
1) Block Casing and Anchorage Eye :	a. Casing with Guide & Snout	 <ul style="list-style-type: none"> <li>i) Damages / Breakages</li> <li>ii) Cracks</li> <li>iii) Deformations</li> </ul>	Check all Moulded parts including Casing, guide & snout, etc for any crack, damage/breakage, deformation, etc. If any non-conformity found mark the block and send for servicing / repair.	
	b. All Fasteners	 <ul style="list-style-type: none"> <li>i) Availability</li> <li>ii) Tightening of all Fasteners Properly</li> </ul>	Check all fasteners for their presence and tightening as well. If any non-conformity found mark the block and send for servicing / repair.	
	c. Anchorage Eye	 <ul style="list-style-type: none"> <li>i) Availability</li> <li>ii) Damages/ Breakages</li> <li>iii) Cracks</li> <li>iv) Deformations</li> <li>v) Swivel Motion</li> </ul>	Check the anchorage eye for its availability. No crack, damage/breakage, deformation, etc. should be observed. Check the Swivel motion of the eye for free movement. If any non-conformity found mark the block and send for servicing / repair.	

Checking Area		Inspect for	Guide Lines for inspection	Remarks
2) Snap Hook	a. Load Indicator Status	<p>Load Indicator</p> <p>Metal Part</p>	i) Red or Green	Never use the block if Load Indicator shows Red colour.
	b. Metal Parts		i) Deformation ii) Cracks	Check all metal parts for deformation or crack.
	c. Functioning		i) Opening and Locking	Check the functionality of the hook. Gate should not open without pushing lock. Spring movement of the Gate and Lock must work free.
3) Wire Rope / Webbing Assembly	a. Ferrule and Thimble	<p>Wire Rope</p> <p>Ferrule</p> <p>Thimble</p>	i) Crack ii) Deformation iii) Loose grip	Check the termination end including ferrule and thimble for any crack or damage. Ensure the grip of ferrule on wire. it should be intact.
	b. Wire rope		(i) Corrosion (ii) Kinking (iii) Frays (iv) Open strands (v) Cut	Check the Wire rope for corrosion, kinking, frays, open strands, cuts, etc.
	c. Energy Absorber		(i) Openings (ii) Cuts (iii) Stitching (iv) Label	Check the Energy absorber for any openings, cuts, burst stitching. It should be intact and not loose. Check that label is present & has valid information.
	d. Webbing		(i) Loose Yarn (ii) Cuts (iii) Stitching	Check the webbing for any Cut, Frayed, Heavily Soiled, burst stitching. It should be intact.
4) Functionality and Performance	a. Retraction & Mechanical functioning	<p>Manual Pull</p> <p>Automatic Retraction</p>	It must retract the wire on its own	Extract the wire out side and allow it to retract automatically. Block should retract whole wire automatically.
	b. Locking		By pulling out the wire with a sudden jerk.	Hold the hook and extract the wire with a sudden jerk, block must lock .

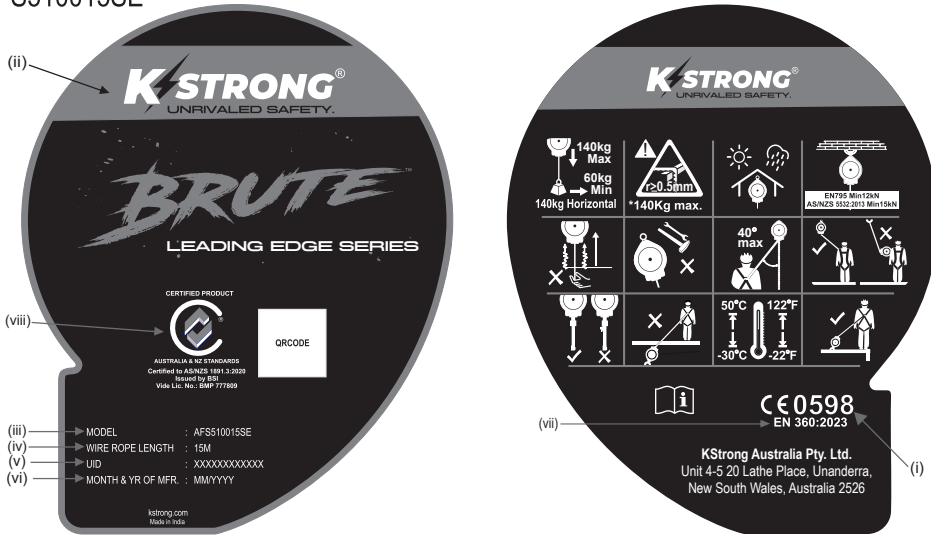
**Note:-** If any non-conformity found, mark the block and send it for servicing / repair to the authorized service centre.

Inspection Date: .....

Inspector's Signature: .....

**MARKING:**

AFS510015SE



**MARKING EXPLANATION**

The Retractable Fall Arrester is marked with:

- (i) The CE mark showing that the product meets the requirements of the PPE Regulation (EU) 2016/425
- (ii) Identification of manufactures
- (iii) Type or product code
- (iv) Wire Rope Length
- (v) UID for traceability
- (vi) Month/Year of Manufacture
- (vii) Norm & Year
- (viii) Marking of Australia Standards AS/NZS 1891.3 2020

**INFORMATION GIVEN ON LABEL :-**



Keep away from sunlight or heavy rains.



Do not attempt repair unless trained by the manufacturer.



Ensure that the anchorage point has strength of min 12kN (EN) and 15kN (AS/NZS 5532:2013).



It can be used on the Sharp edges having radius  $\geq 0.5\text{mm}$



Ensure that the max angle between the vertical & the lanyard is  $40^\circ$ .



Ensure that wire rope has no cuts or abrasion marks before use.



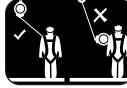
Once the Webbing has been reeled out, do not leave it suddenly to retract inside on its own, let it go inside gradually by guiding it slowly inside.



Block can also be used in sharp edge condition.



Use between temperature range of  $-30^\circ\text{C}$  to  $+50^\circ\text{C}$ .



The pictogram indicates the correct anchor point position and the proper orientation of the block.



The product is designed for users with a minimum weight of 60 kg and a maximum weight of 140 kg in both vertical and horizontal directions.



The anchorage point shall not be below foot level.



Read the Instructions before use.









**Certification Body:**

ANCCP Certification Agency S.R.L., Via dello Struggino, 6 (2nd floor), I-57121 Livorno (Italy) (Notified Body 0302)

**Ongoing Assessment Body:**

SGS Fimko Oy, Takomotie 8, FI-00380 Helsinki, Finland (Notified Body 0598)

**Certification Body & Ongoing Assessment Body (AUSTRALIA & NZ STANDARDS)**

BSI Group ANZ Pty Ltd, Suite 1, Level 1, 54 Waterloo Road, Macquarie Park, NSW 2113, Australia.

For EU Declaration, please visit <https://kstrong.com/asia/eu-declaration-form/>



**KStrong Asia Pte Ltd**

12-05 OG Albert Street,  
Complex AT Singapore 189969

**Contact Email:**

customercare@kstrongasia.com  
www.kstrong.com

**KStrong Australia Pty Ltd**

Unit 4-5 20 Lathe Place, Unanderra,  
New South Wales, Australia 2526

**Contact Email:**

customercare@kstrong.com.au  
www.kstrong.com

**KStrong New Zealand Ltd**

5 Pakura Place, Castlecliff,  
Whanganui, New Zealand 4501

**Contact Email:**

customercare@kstrong.co.nz  
www.kstrong.com

---

USA

South America

Asia

Australia

New Zealand

---

**KS GROUP**