

KStrong® BRUTE™ 100 ft. Cable SRL with snap hook. Includes installation carabiner and tagline (ANSI)

Model: UFS310100

BRUTE™

SRL SERIES

KStrong® BRUTE™ 100' Galvanized Wire Cable SRL with High Impact Strength Polymer Housing with Built-in Handle, swivel eye at anchorage end, other end with load indicator swivel snap hook. Includes one (1) installation carabiner and one (1) tagline AFZ830100 (ANSI)

DESIGN

- Robust & durable plastic casing
- Has swivel anchorage eye at anchorage end
- Steel swivel hook at retractable end (Our ref. PN 144 as per ANSI Z359.12-2009 gate strength 3600 lbs. (1633 kg))
- Galvanized steel wire rope (option of having S.S. wire rope available)

LENGTH

100 ft.

CABLE

Material: Galvanized Steel wire rope \varnothing 3/16"
Breaking Strength: 3400 lbs.

WEIGHT

26.73 lbs. \pm 0.22 lbs. (12125 gm \pm 100 gm)

USER CAPACITY

ANSI User Capacity: 310 lbs. Max.
OSHA User Capacity: 400 lbs. Max

RELEVANT STANDARDS

Meets or Exceeds ANSI Z359.14-2014 CLASS B.

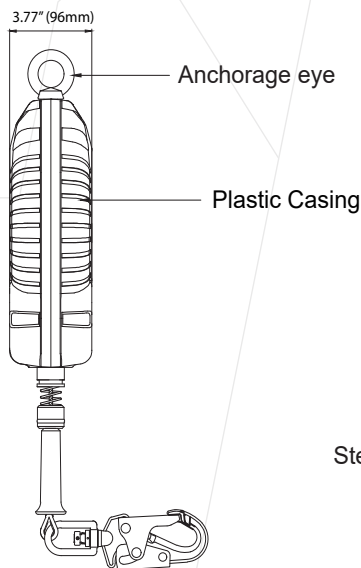
**OSHA
RATED**

**400
LBS.**

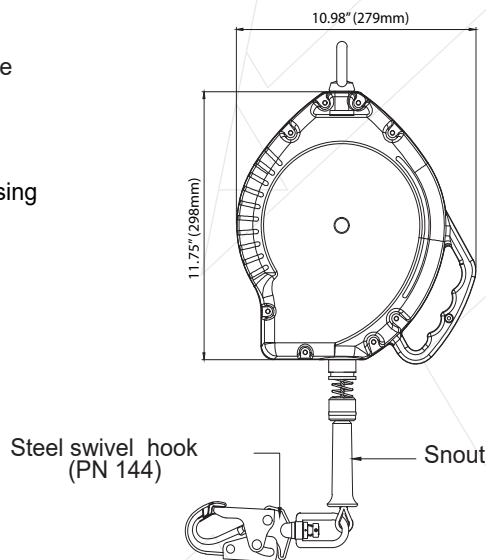
BRUTE



SIDE VIEW



FRONT VIEW



Meets or Exceeds ANSI Z359.14-2014 CLASS B & OSHA COMPLIANT