

## KStrong® BRUTE™ 50 ft. Cable SRL with snap hook. Includes installation carabiner and tagline (ANSI)

Model: UFS310050

# BRUTE™

SRL SERIES

KStrong® BRUTE™ 50' Galvanized Wire Cable SRL with High Impact Strength Polymer Housing with Built-in Handle, swivel eye at anchorage end, other end with load indicator swivel snap hook. Includes one (1) installation carabiner and one (1) tagline AFZ830050 (ANSI)

### DESIGN

- Robust & durable plastic casing
- Has swivel anchorage eye at anchorage end
- Steel swivel hook at retractable end (Our ref. PN 144 as per ANSI Z359.12-2009 gate strength 3600 lbs. (1633 kg))
- Galvanized steel wire rope (option of having S.S. wire rope available)

### LENGTH

50 ft.

### CABLE

Material: Galvanized steel wire rope Ø3/16 Inches  
Minimum Breaking strength: 3400 lbs. (1542 kg).

### WEIGHT

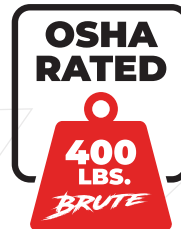
17.73 lbs. ± 0.22 lbs. (8042 gm ± 100 gm)

### USER CAPACITY

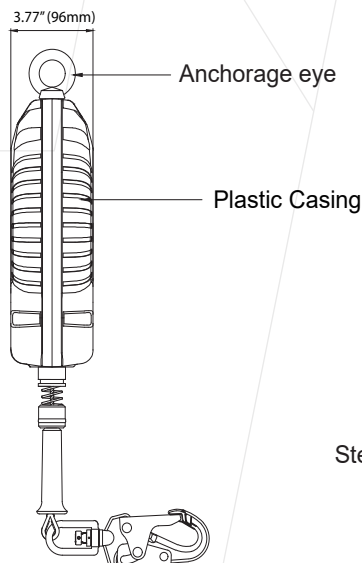
ANSI User Capacity: 310 lbs. Max.  
OSHA User Capacity: 400 lbs. Max

### RELEVANT STANDARDS

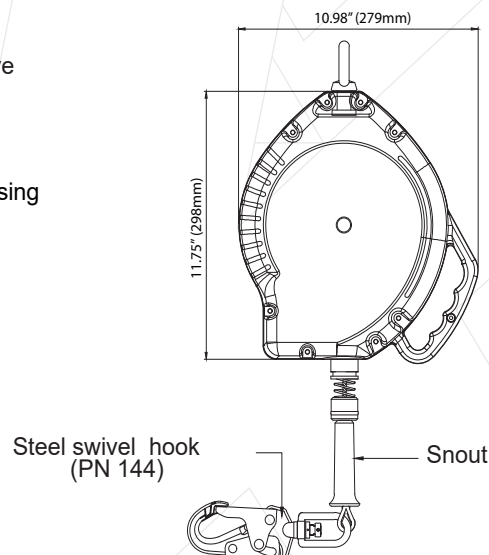
Meets or Exceeds ANSI Z359.14-2014 CLASS B.



SIDE VIEW



FRONT VIEW



Meets or Exceeds ANSI Z359.14-2014 CLASS B & OSHA COMPLIANT