

KStrong® BRUTE™ 10 ft. Cable SRL with snap hook. Includes installation carabiner (ANSI)

Model: UFS310010

BRUTE™

SRL SERIES

KStrong® BRUTE™ 10' Galvanized Wire Cable SRL with High Impact Strength Polymer Housing with Built-in Handle, swivel eye at anchorage end, other end with load indicator swivel snap hook. Includes one (1) installation carabiner (ANSI)

DESIGN

- Robust & durable plastic casing
- Has anchorage handle at anchorage end
- Steel swivel hook at retractable end (Our ref. PN 144 as per ANSI Z359.12-2009 gate strength 3600 lbs. (1633 kg))
- Galvanized steel wire rope (option of having S.S. wire rope available)

LENGTH

10 ft.

CABLE

Material: Galvanized steel wire rope Ø3/16 inches
Minimum Breaking strength: 3400 lbs. (1542 kg)

WEIGHT

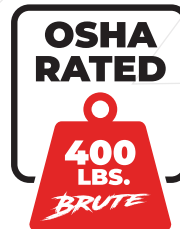
5.55 lbs. ± 0.22 lbs. (2517 gm ± 100 gm)

USER CAPACITY

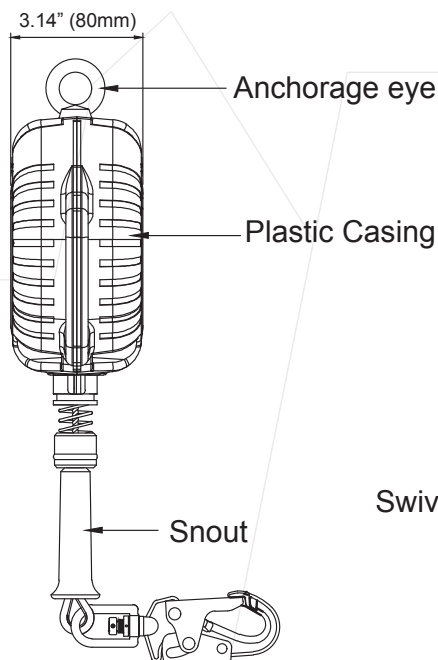
ANSI User Capacity: 310 lbs. Max.
OSHA User Capacity: 400 lbs. Max

RELEVANT STANDARDS

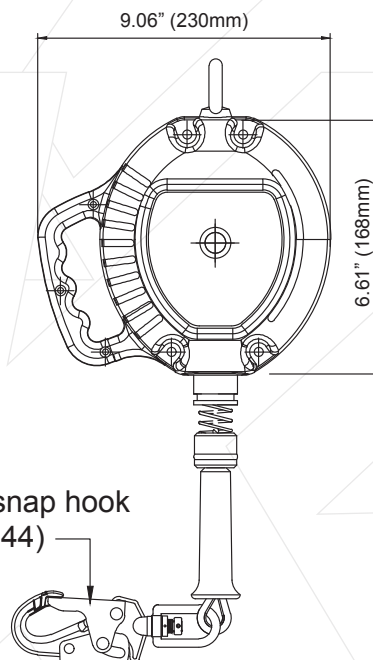
Meets or Exceeds ANSI Z359.14-2014 CLASS B.



SIDE VIEW



FRONT VIEW



Meets or Exceeds ANSI Z359.14-2014 Class B