

KStrong® Kaptor™ Tool Cinch, Single Wing, Medium Duty, 35 lbs. (ANSI)

Model: DL200311

KAPTOR™
TOOL LANYARDS

DESIGN

- Webbing tool attachment made in 0.98" (25mm) polyester webbing with D-ring at one end and webbing loop at other end
- Provided with a lightweight D-ring

MATERIAL

Webbing - 0.98" (25mm) Polyester.
D-ring - Alloy Steel

CAPACITY

35 lbs. (15.87kg)

LENGTH

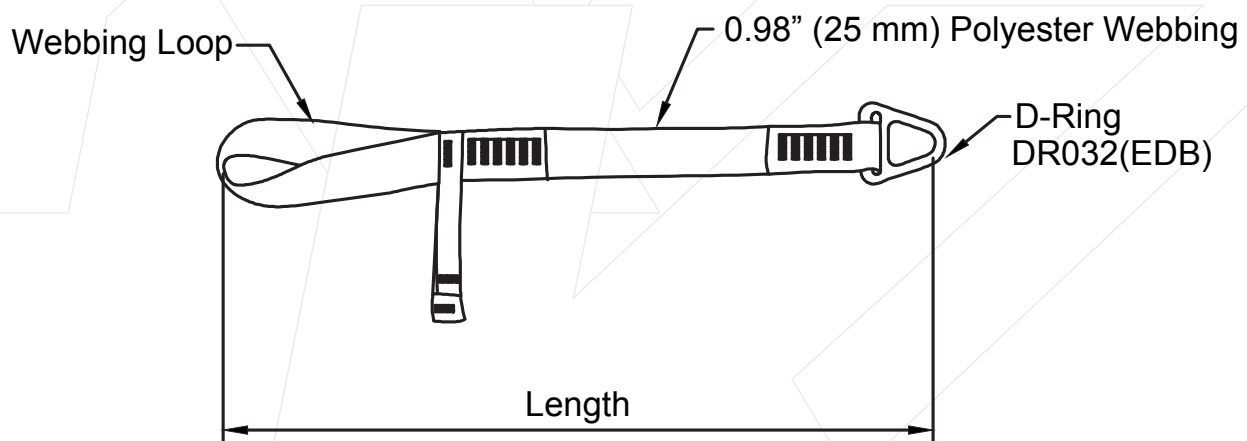
14.56" (37cm)

WEIGHT

0.16 lbs. ± 0.01 lbs. (75 gm ± 5 gm)

RELEVANT STANDARDS

Meets or Exceeds ANSI/ISEA 121-2018



Meets or Exceeds ANSI/ISEA 121-2018

Length- 14.56" (37cm)