

## KStrong® Kaptor™ Web Tool Tails 2XL- 8.5 inches, 3 lbs. (ANSI)

Model: DL100305

### DESIGN

- 2XL tool attachment made in 0.59" (15mm) polyester webbing with D-ring at one end and folded end at other end
- Provided with a lightweight D-ring

### MATERIAL

Webbing - 0.59" (15mm) Polyester.  
D-ring - Alloy Steel

### CAPACITY

3 lbs. (1360gm)

### LENGTH

8.5" (216mm)

### WEIGHT

0.026 lbs. ± 0.002 lbs. (12 gm ± 1 gm)

### RELEVANT STANDARDS

Meets or Exceeds ANSI/ISEA 121-2018

# KAPTOR™

TOOL LANYARDS



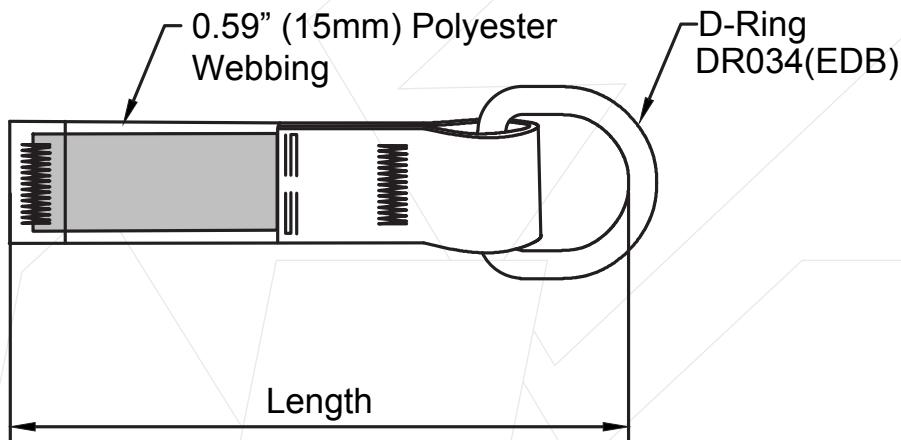
**KAPTOR**  
TOOL ATTACHMENT

Webbing Tool  
Connector

Model #:  
DL100305

Material:  
PP, Polyester,  
Steel.

Compliant with  
ANSI / ISEA  
121-2018



Length- 8.5" (216mm)

Meets or Exceeds ANSI/ISEA 121-2018