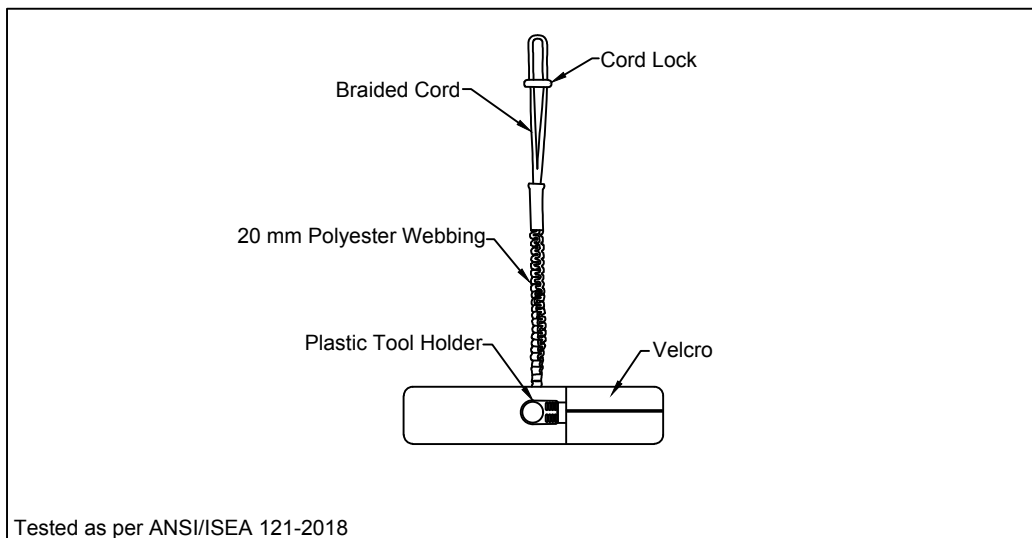


DOC NO	ISSUE	REVISION	PRODUCT REF.	DATE	QUALITY PLAN
QF/RD/05	01	00	DA300411	16.07.20	
TECHNICAL SPECIFICATIONS				SIGNATURE	
				HOD(TPD)	

WRISTBAND TOOL LANYARD (DA300411)

Tested as per ANSI/ISEA 121-2018

DESIGN

- Convenient stretch lanyard for Tool Holding
- Elasticated webbing used for contraction property
- Wrist band made of resistant and comfortable fabric
- Plastic tool holder

MATERIAL

- Webbing - 20 mm Polyester.

RATE LOAD

- 2 lbs

VITAL TEST COMPLIANCE

- Dynamic strength : Raise the test weight to double of the length of tool tether using mass of double of claimed weight. Let the mass fall. test weight should not be released Repeat the test twice by using the Test weight equal to the claimed weight .

WEIGHT

- 55 gm \pm 2gm