

# EXTREME WINCH 20M

**AFT730020**

KStrong Extreme Winches have been designed for lifting and lowering, ideal for a range of applications including confined space work, rescue, positioning and personnel/material handling.

## Features

- **Personal / Materials Winch designed for rescue applications only.**
- Comes with universal mounting bracket to attach the Extreme Davits and Tripods for quick and easy installation.
- Handle rotating mechanism for lifting or lowering.
- For Personal use, you must use in-conjunction with a Fall Arrest Block as back up.
- Equipped with Advanced Dual Load Advantage (DLA) Gear System to give an effortless use of the Winch.
- Personal - As per EN 1496 Rated 140kg
- Materials - As per Machine Directive 2006/42/EC Rated 250kg
- Maximum Load Capacity:
  - Personal use: 140kg
  - Material use: 250kg



## How To Use

Refer to User Instruction Manual



## Metal Components

Material	:	Galvanized Steel Body
Finish	:	Nylon Moulded Cover & Beam for wire winding
Minimum Strength Breaking	:	15kN
Wire Cable	:	4.5mm Galvanized Steel
Steel Karabiner (AC601100)	:	25kN MBS

## Weight

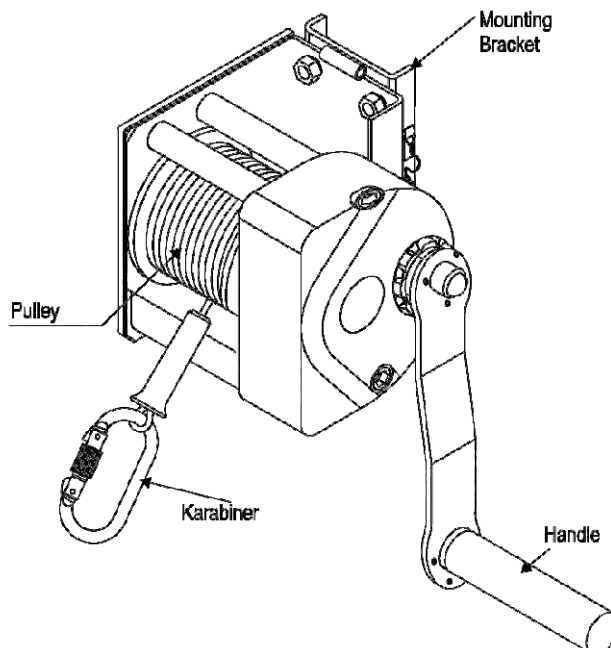
7.545kg ± 0.050kg

## System Strength

15kN

## Relevant Standards

Tested as per EN 1496:2017 Class A



II 2G  
Ex h IIc T6 Gb  
EN 80079-36:2016  
EN 80079-37:2016