

MOUNTING NUTS, HEX BOLTS & NUT ASSEMBLY (AFF8000)

AFF533500

Features

- Helps to clamp the AFF531000 Intermediates, AFF513700 Extremities and the AFF531500 Extension arms directly to the underlying ladder.

How To Use

Refer to User Instruction Manual



Metal Components

Bolts and Nut Assembly : 316 Stainless Steel

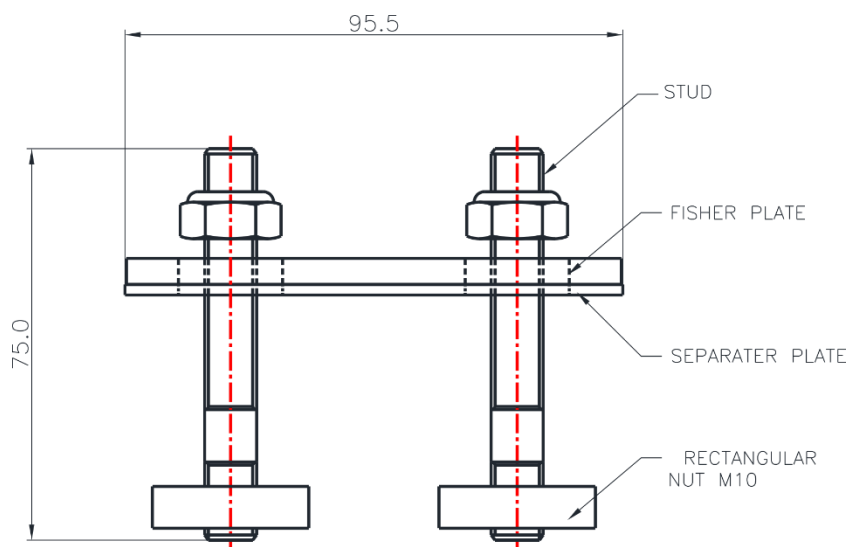


Weight

0.22 kg

Relevant Standards

Part of AFF8000 System which Conforms to EN353-1:2014 + A1:2017
ATEX directive 2014/34/UE



CE 0598