


INTERMEDIATE CABLE GUIDE WITH RUBBER END FOR VERTICAL WIRE SYSTEMS

AFF513806

Features

- Stainless Steel Intermediate c/w Rubber cable guide used in a fixed ladder system maintaining alignment over long spans.
- Allows the KStrong rope grab to pass over the cable guide.
- The Intermediate cable guide reduces the cable from flapping.
- Suitable for 8mm Wire cable
- 10m for up to 30m length and Install every 5m for above 30m length
- Bolts directly to ladder Rungs
- Suits both square & round ladder rungs with a diameter between 16mm to 52mm

How To Use

Refer to User Instruction Manual 

Metal Components

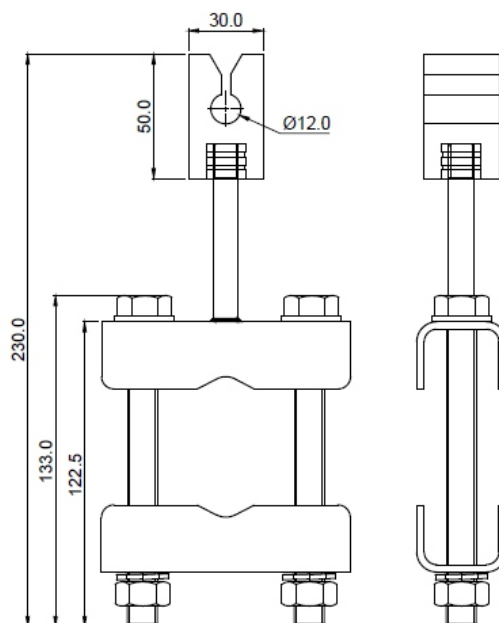
Intermediate Plate & Bracket	:	316 Stainless Steel: Polished
Rubber	:	TPE
Bolts & Nuts	:	316 Stainless Steel
MBS	:	15kN

Weight

0.652 kg ± 0.050 kg

Relevant Standards

AFF6000, AFF7000 & AFF7500 System Specifications -
Conforms to EN353-1:2014 + A1:2017



CE 0598