

INTERMEDIATE BRACKET FOR AFF6000 & AFF7000 SYSTEMS

AFF511500

Features

- Intermediate bracket to guide the wire and ensuring vertical alignment of system.
- Evenly spaced every 10m up to 30m
- 30m and above, space every 5m

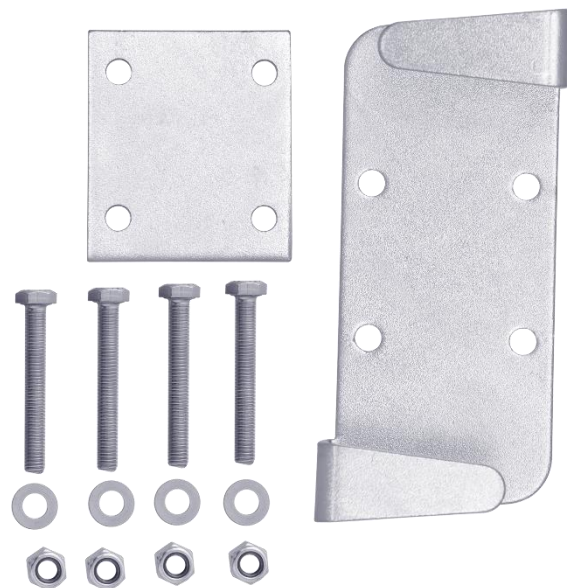
How To Use

Refer to User Instruction Manual



Metal Components

Brackets, Bolt, Washers & Nut	:	316 Stainless Steel
Finish	:	Polished
Minimum Breaking Strength	:	15 kN

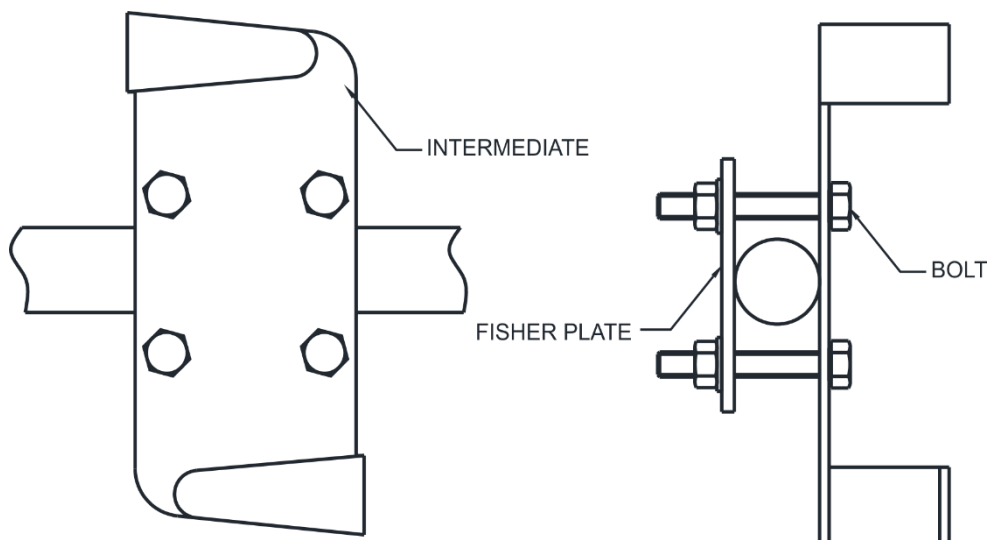


Weight

0.625 kgs. ± 0.020 kgs.

Relevant Standards

Tested in a System as per EN 353-1:2014 + A1:2017 for AFF6000 & AFF7000



CE 0598