

HORIZONTAL TROLLEY FOR WALL MOUNTED ALUMINUM RAIL SYSTEM AFF5000

AFF139010

Features

- Stainless steel trolley with brass wheels is designed to be used with Horizontal Aluminum rail system AFF5000 mounted on a wall.
- Connects easily to a Lanyard or SRL allowing the user to move freely along the rail.

How To Use

Refer to User Instruction Manual



Metal Components

Trolley	:	316 Stainless Steel: Polished
Wheel	:	Brass
MBS	:	15kN

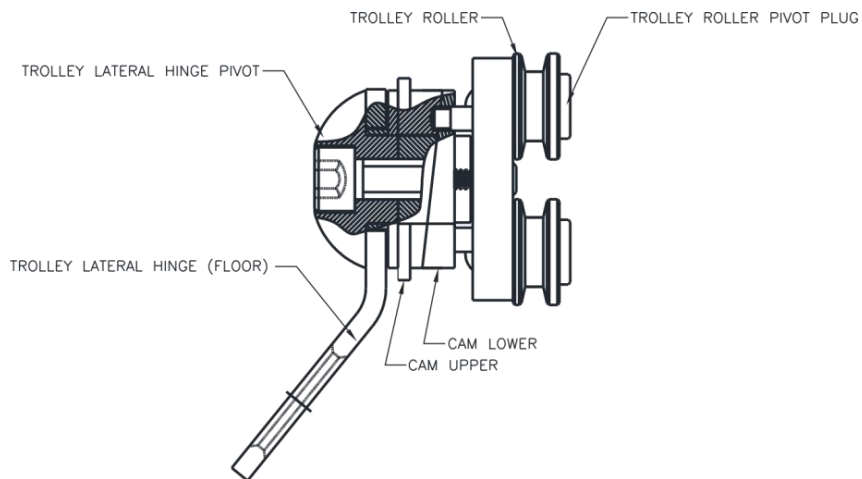
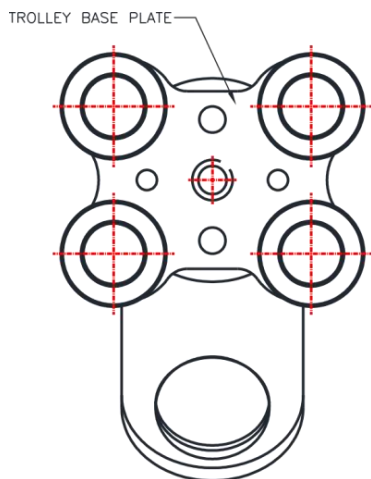


Weight

560 gm ± 10 gm

Relevant Standards

Conforms to EN 353-1:2012



CE 0598