

18KN LONG SPAN SHOCK ABSORBER

AFF114112

Features

- Stainless Steel 18kN Shock Absorber is designed to reduce the impact force below 6kN in the event of a fall.
- Used in long Span HLL up to 35m with AFF114113 Tensioner.
- Comes with attachment points at both ends for simple and easy connections between the Post and Tensioner
- Protective Moulded Cover

How To Use

Refer to User Instruction Manual



Components

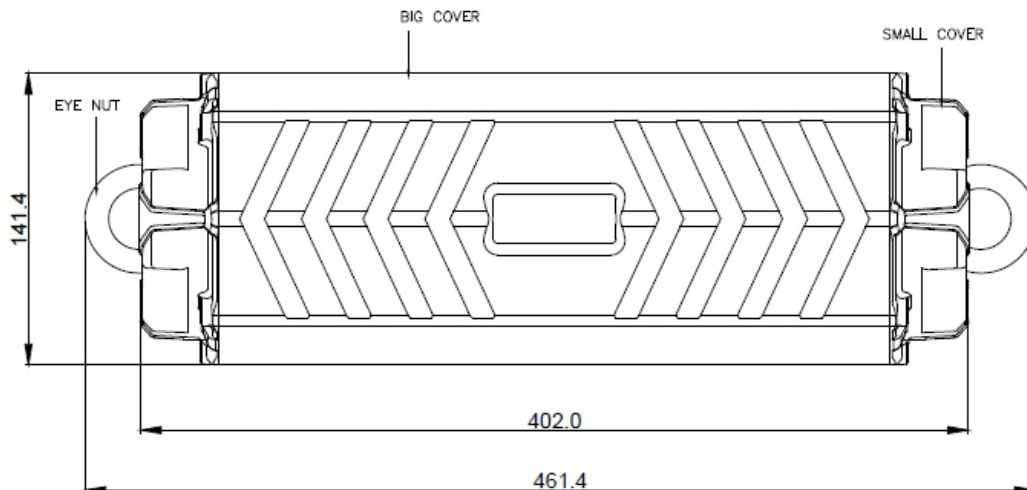
Shock Absorber	:	316 Stainless Steel, Electro Polished & Aluminum
Eye Lets	:	316 Stainless Steel, Electro Polished
Minimum Breaking Strength	:	25kN
Protective Moulded Cover	:	Nylon Housing

Weight

4.200 kgs ± 0.010 kgs

Relevant Standards

AFF4000 System Specifications – Conforms to EN795:2012 Type C & TS 16415:2013 Type C



CE 0598