

# PIPE MOUNTING BRACKET SUIT 35MM - 50MM DIA

AFF113735

## Features

- Mounting Brackets are provided to install the anchorage line on Horizontal Pipe (Hand Rails) and Vertical Ladder Rungs.
- Suitable to attach the AFF113710 Extremity Anchor and Intermediate Bracket.
- The brackets can be used for anchorage point on a rung of a Ladder.
- Simple bolt to the pipe by using two bolts connecting the two Plates
- Compatible Rung Diameter: Ø35.0mm to Ø50.0mm.
- Not to be used as a single end anchorage for wire cable systems.



## How To Use

Refer to User Instruction Manual



## Metal Components

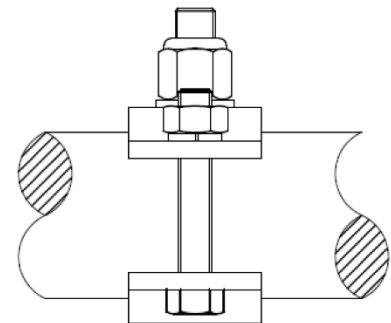
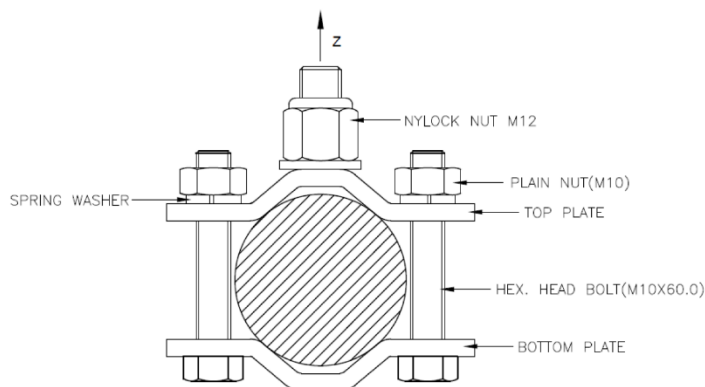
Brackets	:	316 Stainless Steel: Polished 316
Bolts	:	Stainless Steel A4/70
Washers & Nut	:	Stainless Steel A4
Minimum Breaking Strength: Z Axis	:	30 kN

## Weight

450.0 gms ± 10.0 gms

## Relevant Standards

AFF4000 System Specifications - Conforms to EN795:2002 Type C  
& TS16415:2013



CE 0598