



USER INSTRUCTION MANUAL
IRSQ TELESCOPIC POLE

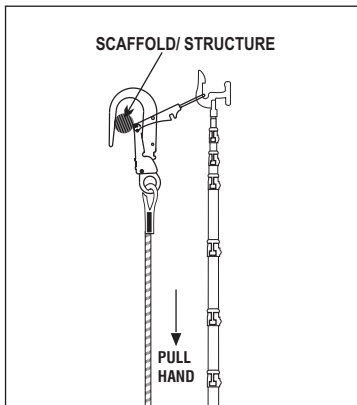
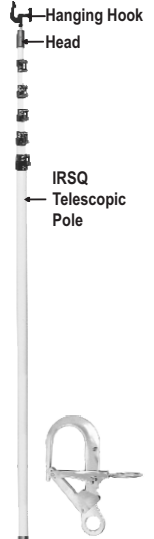
THESE INSTRUCTIONS APPLY TO THE FOLLOWING MODEL:

AFA960001 with AFC608410

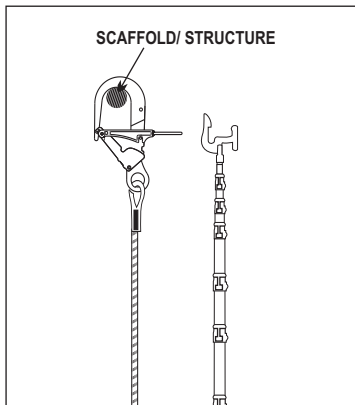
Please read and understand the manufacturer's instructions for each component or part of the complete system. Manufacturer's instructions must be followed for proper use, care, and maintenance of this product. These instructions must be retained and be kept available for the user's reference at all times. Alterations or misuse of this product, or failure to follow instructions, may result in serious injury or death.

Note: The user is advised to keep this user instructions document for the life of the product.

1. **INTRODUCTION:** IRSQ Telescopic Pole is a perfect solution to create overhead anchors at unreachable heights. It can be effectively used to install an anchorage point from a distance. The IRSQ Telescopic Pole is designed to create temporary overhead anchorages with help of Rebar hook assembled to it at the extreme end. Always remember that care must always be taken while carrying out the risk related activity.
2. **APPLICATION:** Can be effectively used to install an anchorage point from a distance during the time of rescue.
3. **INSPECTION:**
Visually inspect the system before each use to ensure that it is in a serviceable condition and is operating correctly. If during inspection, doubts are raised about the safety of the system or a component, these should be replaced either by the manufacturer or a competent person.
4. **PRECAUTIONS:** Avoid use of IRSQ Telescopic Pole under following hazardous conditions, as it may affect the performance of the product:-
 - Ensure that the IRSQ Telescopic Pole is compatible with other items when assembled into a system.
 - Usage with other non-compatible items may be dangerous & hazardous as the safe function of one item may be affected or interferes with the safe function of another.
 - Extreme temperatures.
 - Trailing or looping of Lanyards over sharp edges.
 - Extreme acidic or basic environments.
 - Abrasive or sharp edge structures which can damage the equipment.
 - A rescue plan should be in place to deal with any emergencies that could arise during the work.
5. **PRE USE CHECK :** The pre use check shall involve checking of any wear or abrasion on ropes and sign of corrosion, if any, on metal parts or any breakage of the plastic/aluminium part.
6. **INSTRUCTIONS FOR USE:** Follow below steps to use this equipment:-
Insert the Rope through the captive eye of the Anchorage Hook and terminate it either with a suitable knot or stitching.

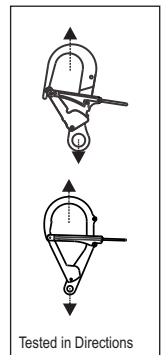


Now insert the hanging hook of IRSQ Telescopic Pole into the Lock Ring of the Anchorage Hook.



Adjust the length of IRSQ Telescopic Pole as per the height of the structure and insert the Nose of the Anchorage hook into the structure and slowly release hanging hook from Anchorage Hook. Once hanging hook is pulled back, the Lock of Anchorage hook will lock automatically under spring action.

Now, the Anchorage is ready to use.



- **To Extend Pole:-** Rotate the locking lever into open position, hold outer section and pull inner pole to desired length and lock the extended position by rotating back the locking lever into locked position.
 - **To Retract Pole:-** Rotate the locking lever into open position, hold the outer section and slide inner section into outer section and rotate back the locking lever into locked position. Collapse pole to shortest length for storage.
7. **ANCHORAGE STRENGTH:** Ensure that the strength of the anchor structure is greater than 12kN.
8. **LIMITATIONS :**
- This IRSQ Telescopic pole cannot be used as a part of a fall arrest system or as a part of a restraint system.
 - It has a maximum dielectric resistance of 30kV.
 - The IRSQ Telescopic pole should be the personal property of the user.
 - The IRSQ Telescopic pole shall not be used outside its limitation, or for any purpose other than that for which it is intended.
 - Ensure that manufacturer's packing is used during transportation to prevent damage. In case original packing is not available, use polybag which is sealed to prevent moisture.
 - It is essential for the safety of the user that if the product is resold outside the original country of destination, the reseller shall provide instruction for use, for maintenance, for periodic examination and for repair in the language of the country in which product is to be used.
9. **REPAIR:** If the product becomes damaged, it will NOT provide the optimum level of protection, and therefore should be immediately removed from service. It needs to be inspected to see if it is replaced or repaired. Never use the damaged product. Repair is only permitted by the manufacturer or a nominated repair centre or individual approved by the manufacturer.
10. **INSTRUCTION FOR MAINTENANCE & STORAGE:**
- Follow the maintenance instructions procedure laid below strictly.
- In case of minor soiling, wipe the equipment with cotton cloth or soft brush. Do not use any abrasive material. For intensive cleaning wash in water at a temperature between 25°C to 50°C using a neutral detergent. It should be allowed to dry by itself and be kept away from open fire or any other source of heat. Avoid direct sunlight.
 - Store in cool dry place, preferably away from moisture, direct sunlight, extra acidic or basic conditions, and sharp edges.
11. **WARNING:**
- Do not make any alterations or additions to the IRSQ Telescopic pole without the manufacturer's prior written consent.

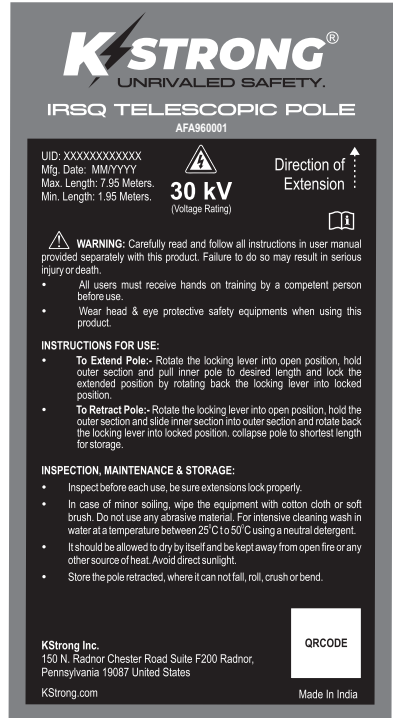
MARKING ON AFC608410:-

AFC608410 CE 0598 22KN KSTRONG EN 795:2012 TYPE B & EN 362:2004 CLASS A (i) (ii) (iii) (iv) (v) (vi)

MARKING EXPLANATION: The Connector is marked with :

- i) Type or product code.
- ii) The CE mark showing that the product meets the requirements of the PPE Regulation (EU) 2016/425
- iii) Minimum Breaking Strength .
- iv) Identification of the manufacturer.
- v) EN Norms to which it complies.
- vi) Read Instructions Carefully.

Label on AFA960001



LIFESPAN: The estimated product Lifespan is 10 years from the date of manufacture. The following factors can reduce the Lifespan of the product: intense use, contact with chemical substances, specially aggressive environments, extreme temperature exposure, UV exposure, abrasions, cuts, violent impacts, bad use or maintenance.

DISCLAIMER: Prior to use, the end user must read and understand the manufacturer's instructions supplied with this product at the time of shipment and seek training from their employer's trained personnel on the proper usage of the product. Manufacturer is not liable or responsible for any loss, damage or injury caused or incurred by any person on grounds of improper usage or installation of this product.

EQUIPMENT RECORD				
Product				
Model & type/Identification		Trade Name		Identification number
Manufacturer		Address		Tel, email into use
Year of manufacture		Purchase Date		Date first put into use
Other relevant information (eg. document number)				
PERIODIC EXAMINATION AND REPAIR HISTORY				
Date	Reason for entry (periodic examination or repair)	Defects noted, repairs carried out and other relevant information	Name and signature of competent person	Periodic examination next due date

For EU Declaration, please visit <https://kstrong.com/asia/eu-declaration-form/>



KStrong Inc.
150 N. Radnor Chester Road Suite F200
Radnor, Pennsylvania 19087 United States
Contact number : 1-833-KSTRONG
Contact Email: customer care@kstrong.com

www.kstrong.com

USA	South America	ASIA
-----	---------------	------

AKS-AFA960001-290721-v2