

# KSTRONG T-LINE BEAM CLAMP SUIT 125MM - 235MM

AFA945026

## Features

- T-Line Beam Clamp attach's directly to structural steel beams to create an anchor point.
- Adjustable by using standard Tools to suit different beam flanges from 125mm to 235mm.
- T-Line can be installed on the structural beams by using an additional anchor AFA945017.
- Light Weight and easy to install.
- Suitable for one person.

## How To Use

Refer to User Instruction Manual



## Metal Components

Material	:	High Tensile Steel
Finish	:	ED Coated Black
Minimum Breaking Strength	:	23 kN.

## Weight

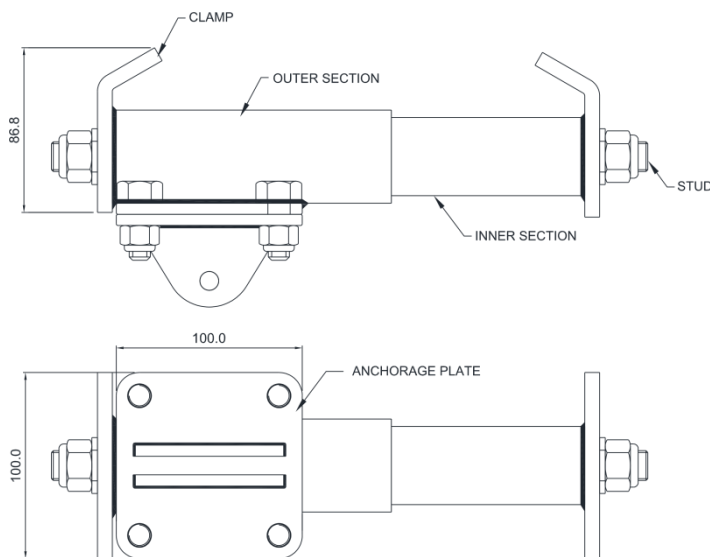
4.350 Kg ± 0.050 Kg

## System Strength

23kN MBS

## Relevant Standards

Tested as per EN795:2012 Type A & AS/NZS 5532:2013



CE 0598