

KSTRONG T-LINE 24M WITH RESCUE WINCH C/W STEEL CABLE

AFA945024R

SAFE CLIMBING FOR ACCESS AND EGRESS

Features

- Consists of two independent lifelines which allow the user to move in a horizontal and vertical direction.
- Prevents pendulum effect in the event of a fall.
- Suitable to work around overhead obstructions, such as pipes/services and even gantry cranes.
- Reduced fall arrest distances over larger spans (can be less than 600m).
- The T-line can be mounted with each end at different heights, for sloping roofs etc.
- Features an integrated rescue winch that can retrieve a person in an event of a fall.
- The T-Line reduces the forces on the User and the supporting structure when a fall occurs.
- Rated for one user 60kg - 140kg.
- Easy to install and transportable.

How To Use

Refer to User Instruction Manual



SCAN TO DOWNLOAD

Materials

Casing	:	Durable and High Strength Polymer
Wire Cable	:	Galvanised Steel 4.5mm Wire ANSI
Karabiners & O-Ring	:	ANSI Aluminum, MBS 23kN
Minimum Breaking Strength	:	15kN

Weight

23.15 kg ± 0.50 kg

Span Lengths

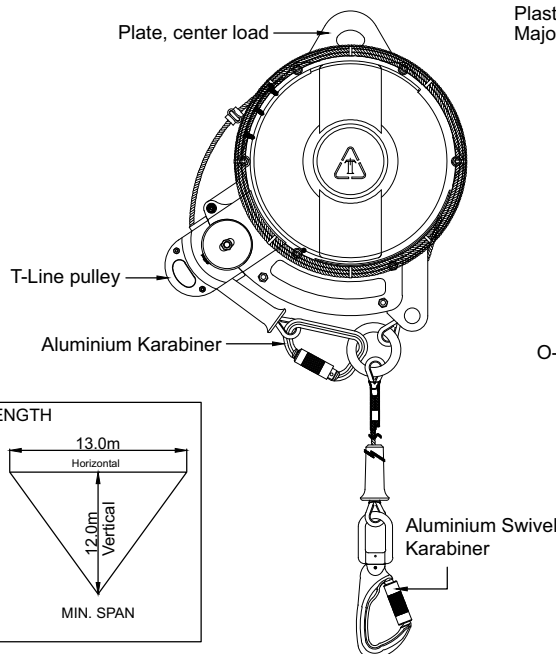
Max Span Horizontal - 24.0 Meters. Vertical - 18.0 Meters.
Min Span Horizontal - 13.0 Meters. Vertical - 12.0 Meters

Relevant Standards

Conforms to CE0598 & EN 1496:2017 Class B.



FRONT VIEW



SIDE VIEW

