

T-LINE ANCHOR CLEVIS

AFA945017

Features

- Anchor Clevis is designed to be fixed on structural Beams to attach the T-Line.
- Prevents the T-Line from Swinging once installed whilst ensuring correct orientation.
- Can be welded or bolted to a Steel structure.
- Steel fixing - 4 x M10 Steel Bolt & Nut Required.
- Easy to install.



How To Use

Refer to User Instruction Manual



Metal Components

Material	:	High Tensile Steel
Finish	:	ED Coated Black
Minimum Breaking Strength	:	23 kN

Weight

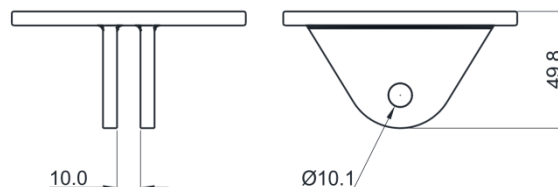
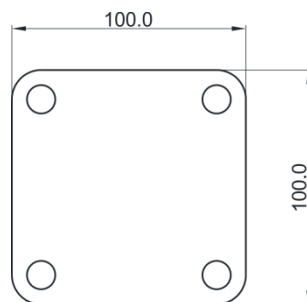
652.0 gm ± 10.0 gm.

System Strength

23kN MBS

Relevant Standards

Tested as per EN795:2012 Type A



CE 0598