

# UNIVERSAL EXTREMITY POST FOR CLAMPING BEAM FLANGE C/W FISHER PLATE

AFA935831

## Features

- Extremity Post designed to be fixed on metal I BEAM at the end of a horizontal lifeline.
- The bases have an adjustable opening to adopt to the type of Beam section.
- Compatible with Universal Extremity Plate AFF113710 & Intermediate AFF111510.
- Available lengths:
  - 300 mm AFF935821 (300)
  - 500 mm AFF935821 (500)
  - 750 mm AFF935821 (750)



## How To Use

Refer to User Instruction Manual



## Metal Components

Clamping Plates	:	High Tensile Steel: ED Coated Black
Bolts	:	M10 A40/70 316 Stainless Steel
System Strength	:	15 kN

## Flange Width

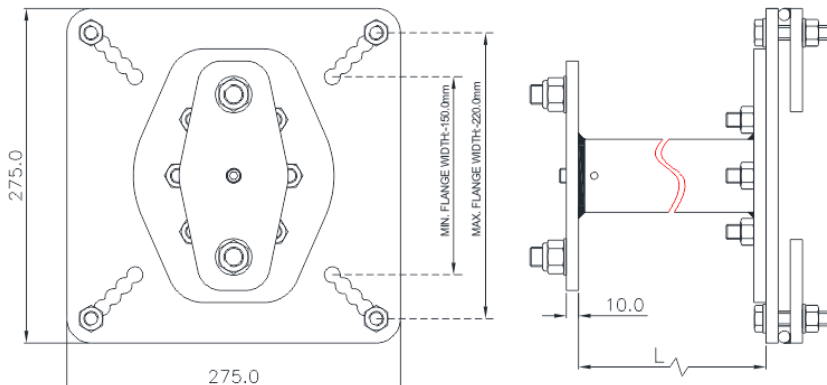
Minimum Flange Width Compatibility	:	150.0 mm
Maximum Flange Width Compatibility	:	220.0 mm

## Weight

300 mm	:	16.58 kg + 0.10 kg
500 mm	:	18.92 kg + 0.10 kg
750 mm	:	21.845 kg + 0.10 kg

## Relevant Standards

Conforms to EN 795:2012 Type A



CE 0598