

# IMPACT INTERMEDIATE POST FOR TRAPEZOIDAL ROOF SHEETS (AFF4000)

AFA935420

## Features

- Intermediate post designed to be fixed on the trapezoidal roof with a minimum thickness of 0.40mm. Spans from 5m - 15m.
- Built in energy absorbing intermediate reducing the impact on users and roof profiles in the event of a fall.
- It divides a long Horizontal Line into multiple Spans and this reduces the sag on the line and holds the wire in position along length of the system.
- Simple and easy to install by using rivets and selected screws to be fixed directly onto the Purlin for added strength.
- Compatible with pitch range from 195 mm to 305 mm on trapezoidal sheets.
- Provided with EPDM rubber for waterproofing.
- Rated for 4 users when used in a Lifeline System.

## How To Use

Refer to User Instruction Manual



## Metal Components

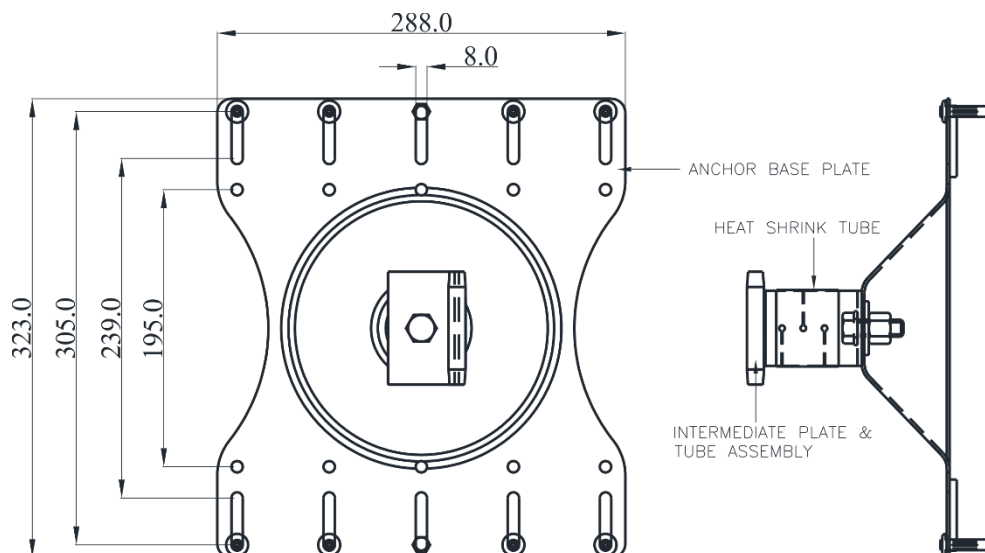
Base Plate	:	316 Stainless Steel : ED Coated Grey
Intermediate	:	316 Stainless Steel: Electro-Polished
Bolt	:	316 Stainless Steel
Minimum Breaking Strength	:	15 kN

## Weight

1.70 kg ± 0.02 kg

## Relevant Standards

Conforms to EN 795:2012 TYPE C & TS16415:2013



CE 0598