

CORNER POST FOR CONCRETE FLOORS & CEILINGS (AFF4000)

AFA935204

Features

- Corner piece designed to be fixed on concrete floors or ceilings in conjunction with a horizontal lifeline (AFF4000).
- Available in following variants depending upon the angle:
 - AFA935204(60) 60 degrees
 - AFA935204(90) 90 degrees
 - AFA935204(120) 120 degrees
- For Concrete installation M12 Chemical Fastener (refer to Hilti HVU installation guide)

How To Use

Refer to User Instruction Manual



Metal Components

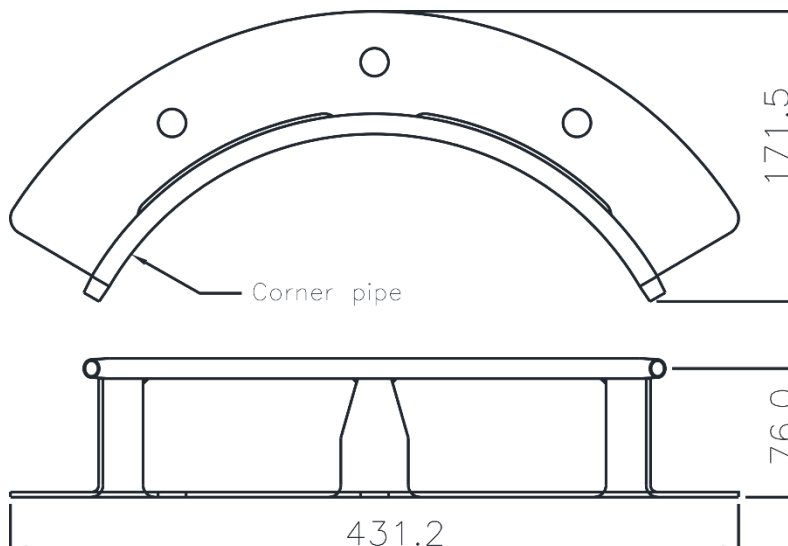
Corner	:	316 Stainless Steel Polished
Minimum Breaking Strength	:	16 kN

Weight

AFA935204(60)	:	1.03 kg + 0.01 kg
AFA935204(90)	:	0.98 kg + 0.01 kg
AFA935204(120)	:	1.05 kg + 0.01 kg

Relevant Standards

Conforms to EN 795:2012 Type C



CE 0598