

# IMPACT CORNER POST FOR STANDING SEAM ROOF AFF4000

AFA935171

## Features

- Roof top corner post designed to be fixed on Standing seam roof at bend of horizontal lifeline.
- Built in energy absorbing Corner posts reducing the impact on users and roof profiles in the event of a fall.
- Available in following variants depending upon the angle:
  - AFA935171(60) 60 degrees
  - AFA935171(90) 90 degrees
  - AFA935171(120) 120 degree
- The Corner post will suit standing seam roofs with seam distances between 300 mm to 650 mm.

## How to Use

Refer to User Instruction Manual



## Metal Components

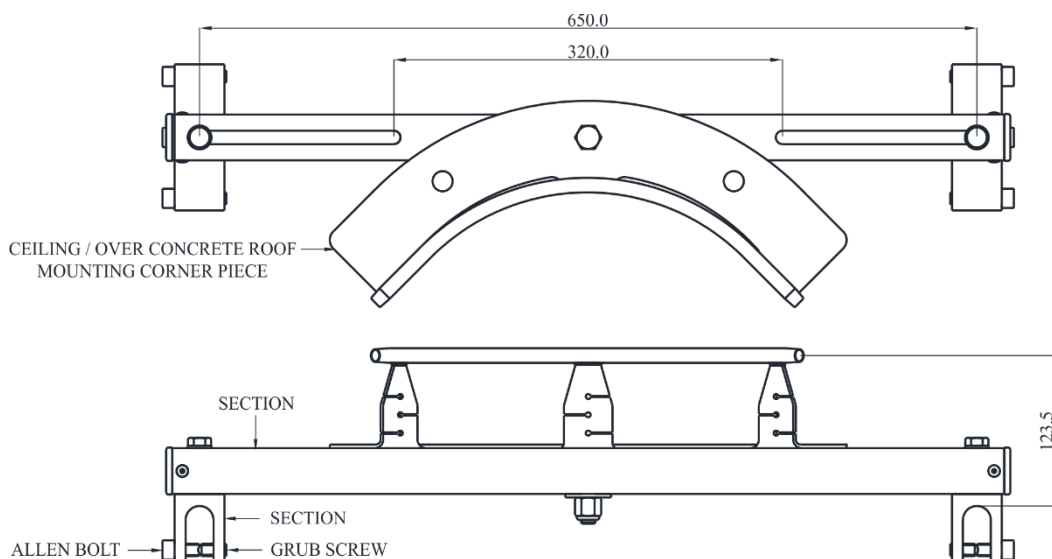
Cross Arm	:	6061 T6 Aluminum: Anodized
Corner	:	316 Stainless Steel, Polished
Seam Clips	:	6061 T6 Aluminum: Anodized
Bolt & Grub Screws	:	SS316 Grade A4-70
Minimum Breaking Strength	:	15kN

## Weight

AFA935171(60)	:	3.31 kg ± 0.50 kg
AFA935171(90)	:	3.26 kg ± 0.50 kg
AFA935171(120)	:	3.33 kg ± 0.50 kg

## Relevant Standards

Conforms to EN 795:2012 Type A & TS16415:2013 Type A



CE 0598