

IMPACT STANDING SEAM EXTREMITY POST BROAD SEAM SPAN 750MM (AFF4000)

AFA935156BS

Features

- Designed as Extremity Posts for a Horizontal lifeline on a Standing Seam Roof with a broad seam distance of 320mm - 750mm.
- Built in energy absorbing Anchor which reduces the impact on users and roof profiles in the event of a fall.
- Anchorage eye provides universal connection & can be used as an anchorage point.
- Rated for 4 users when used in a Lifeline System.



How to Use

Refer to User Instruction Manual



Metal Components

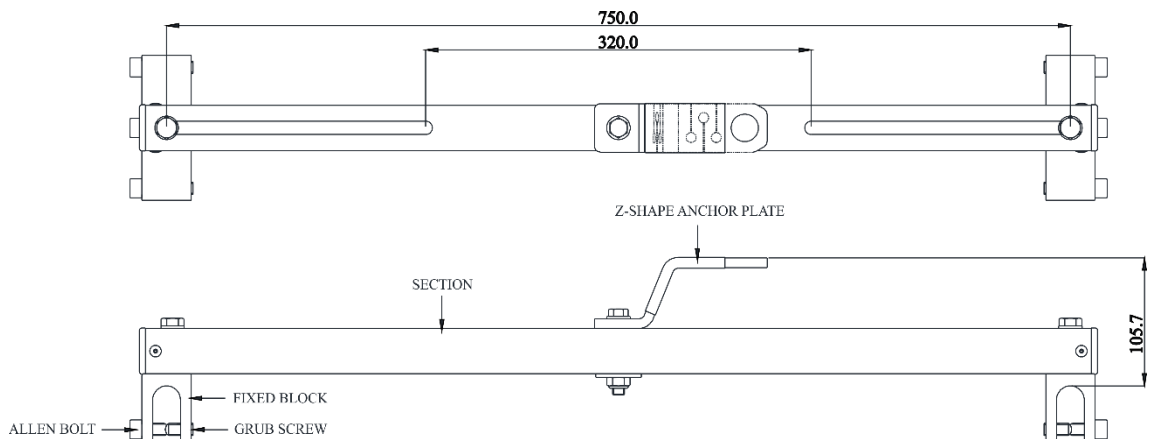
Cross Arm	:	6061 T6 Aluminum: Anodized
Anchor Point	:	316 Stainless Steel, Polished
Standing Seam Clamp	:	6005 T5 Aluminum: Anodized
Bolt & Grub Screws	:	M10 SS316 Grade A4-70
MBS	:	15kN

Weight

3.214 kg ± 0.050 kg

Relevant Standards

Conforms to EN 795:2012 Type A & TS16415:2013 Type A

**CE 0598**