

STANDING SEAM EXTREMITY POST (BROAD SEAM) (AFF4000)

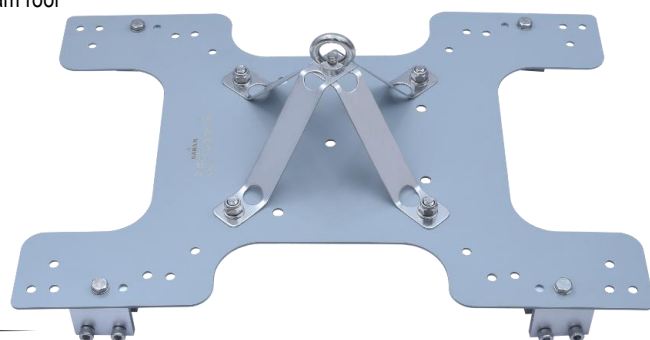
AFA935103

Features

- Designed as Extremity Posts for a Horizontal lifeline on a Standing Seam Roof with a Broad seam distance of 300mm - 650mm
- Anchorage eye provides universal connection & can be used as an anchorage point.
- Comes with series of holes to adopt different standing seam roof spans.

How To Use

Refer to User Instruction Manual



Metal Components

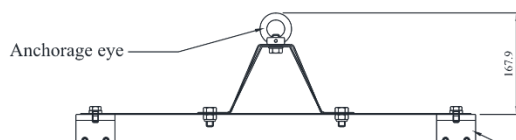
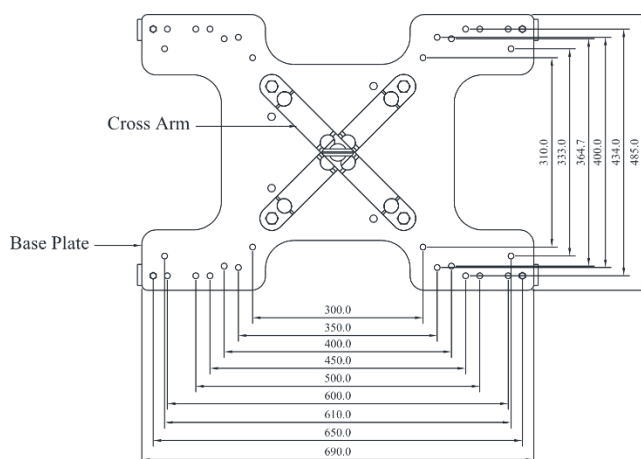
Base Plate	:	316 Stainless Steel: ED Coated Grey
Cross Arm Straps	:	316 Stainless Steel: ED Coated Grey
Anchorage Eye	:	316 Stainless Steel: ED Coated Grey
Standing Seam Clips	:	Aluminum
Bolts	:	M10 SS316 Grade A4-70
Minimum Breaking Strength	:	15 kN

Weight

7.179 kg ± 0.050 kg

Relevant Standards

Conforms to EN 795:2012 Type A



CE 0598

Aluminium bracket for standing seam post (AFA935170)