

EDGE KSTRONG STAINLESS STEEL SINGLE ANCHOR

AFA930001SS


Single point anchor is designed to be fixed to concrete walls, ceilings, floors, roof tops and steel structures.

Features

- Forged Stainless Steel single point anchor.
- Suitable for Abseiling
- It can be used to sustain the load impact in all three axis 'X', 'Y', & 'Z'.
- Reusable & extremely durable.
- No sharp edges or burrs that would add additional Roof tops or steel structures.
- Steel Fixing - M12 Stainless Steel Bolt & Nut Required.
- Concrete Fixing use - M12 Chemical Fastener.
- Refer Hilti fastener HVU installation guide.



How To Use

Refer to User Instruction Manual 

Metal Components

Material	:	316 Stainless Steel
Finish	:	Polished
Minimum Static Test	:	45kN

Weight

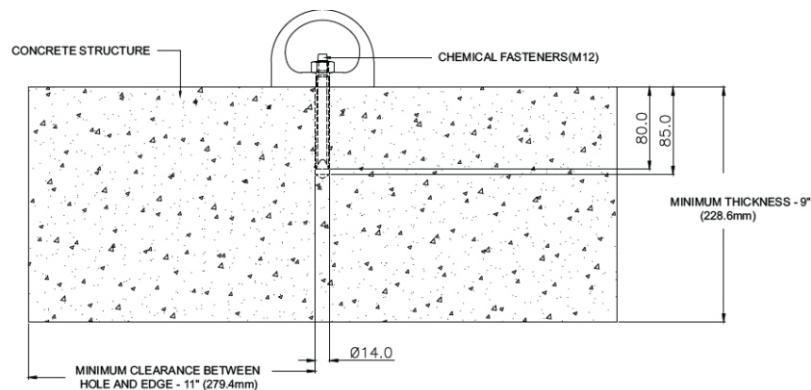
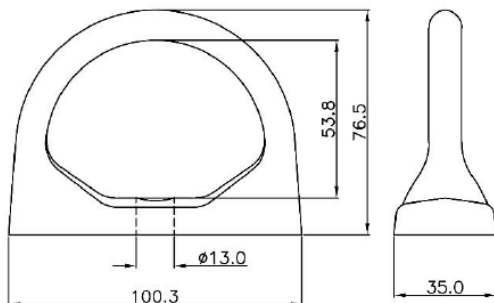
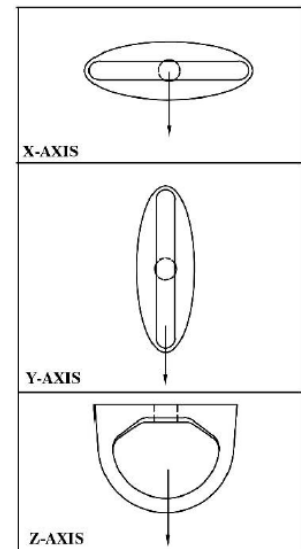
600 gms ±10 gm.

System Strength

45kN MBS

Relevant Standards

Tested as per EN 795:2012 TYPE A, TS 16415:2013 Type A (for upto 4 users)
ANSI Z359.1-2007



CE 0598